

# Neles Easyflow™ limit switches Series K

The Neles Easyflow K-series features versatile range of limit switches for quarter turn actuators and valve assemblies. With the K-series limit switches our customers receive reliable information of the limits of desired rotary travel set by the customer. Limit switch shaft is coupled directly to the actuator shaft with NAMUR (VDI/VDE 3845) adaptation. Actuator movement is transferred via the unit shaft to preset cams that actuate either inductive or mechanical switch elements. The switches are prewired to terminal strips for easy connection to an external monitoring system.



## Benefits

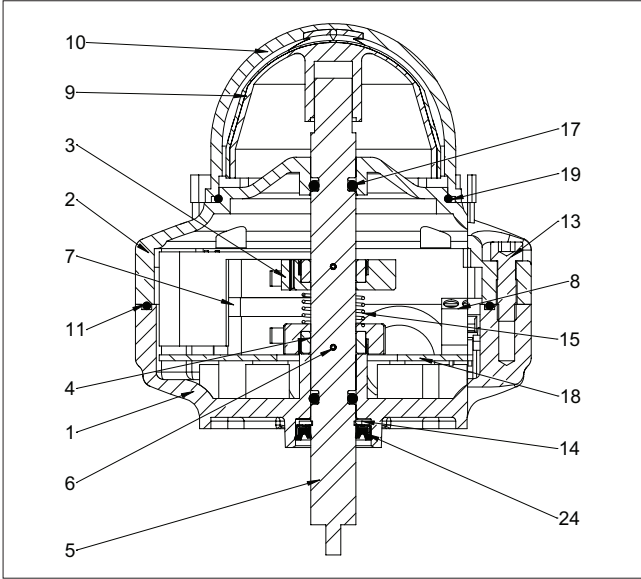
- The versatile K-series limit switches can be mounted on top of virtually any rotary actuator
- VDI/VDE 3845 mounting face
- K-series limit switch is very cost competitive solution for sensing the limits of rotary travel
- Its compact size makes it easy to fit even to tight spaces
- K-series limit switches are suitable even for the most harsh weather conditions with three different housing material options and IP67 ingress protection class as standard
- Switch elements can be chosen between mechanical, inductive and reed type switches
- SOV termination provided inside the limit switch box (with D, E, F, H, R and V switch elements)

## Features

- Two product series
  - KS = K-series, standard housing
  - KC = K-series compact housing
- KC = K-series compact housing
  - Epoxy powder coated, low copper die cast aluminum (LM6)
  - Stainless steel (CF8M, equivalent to AISI316)
  - Polycarbonate (only for KC-series)
- Cable entry options
  - M20x1,5
  - ½”NPT
  - ¾”NPT (KS only)
- Choice of 9 switch element variants
  - Inductive
  - Mechanical
  - Reed type
- Large visual indicator
  - Inside a shatter proof polycarbonate dome
- VDI/VDE 3845 mounting face with NAMUR shaft
- Four different temperature ranges
  - General: -20 °C to +80 °C
  - Cold: -40 °C to +80 °C
  - High: -20 °C to +100 °C
- KS-series with two or four cable entries and KC-series with three cable entries
  - M20x1.5, ½”NPT, or ¾”NPT (Only with KS)
- Easily adjustable cams
- Cams color coded to ease up installation
- IP67 as standard
- Switch elements connected to terminals via PCB to ensure good short circuit protection

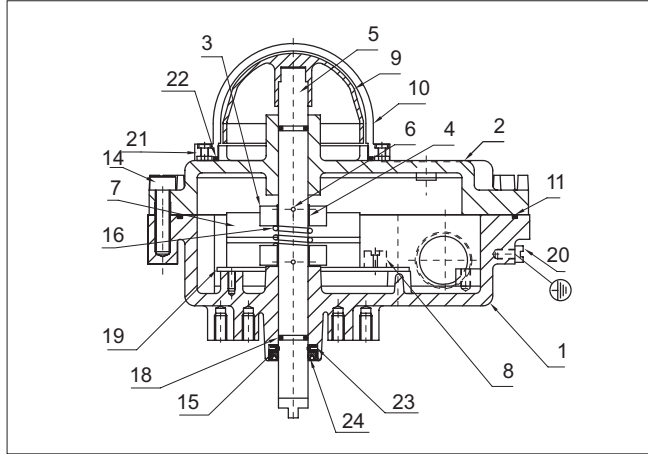
## Assembly drawing and main parts

### Series KC

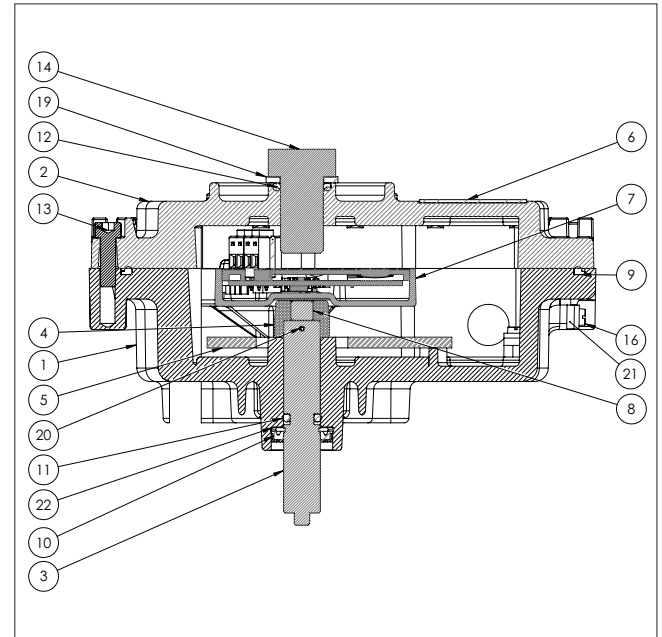
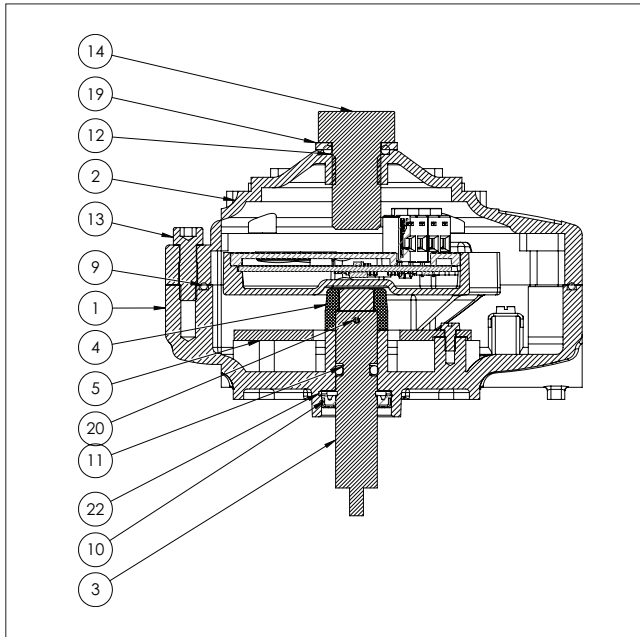


S.NO.	DESCRIPTION	QTY.
1	HOUSING	1
2	COVER	1
3	CAM	2
4	CAM-LOCK 2	2
5	SHAFT	1
6	SPRING DOWEL	2
7	SWITCH ELEMENTS	2
8	TERMINAL BLOCK	4
9	INDICATOR	1
10	INDICATOR COVER	1
11	GASKET	1
13	NON FALLING SCREW	4
14	'E' TYPE CIRCLIP	1
15	SPRING	1
17	O-RING	2
18	PRINTED CIRCUIT BOARD	1
19	O-RING	1
24	CUP SEAL	1

### Series KS



S.NO.	DESCRIPTION	QTY.
1	HOUSING	1
2	COVER	1
3	CAM	2
4	CAM-LOCK	2
5	SHAFT	1
6	SPRING DOWEL	2
7	SWITCH ELEMENTS	2
8	CONNECTOR STRIP	1
9	INDICATOR	1
10	INDICATOR COVER	1
11	GASKET	1
14	NON FALLING SCREW	8
15	EXTERNAL CIRCLIP	1
16	SPRING	1
18	O-RING	2
19	PRINTED CIRCUIT BOARD	1
20	SCREW FOR EARTH CONN.	2
21	PHILIPS HEAD SCREW	4
22	O-RING	1
23	WASHER	1
24	CUP SEAL	1



S.NO.	DESCRIPTION	QTY.
1	COVER	1
2	HOUSING	1
3	SHAFT	1
4	SHAFT BUSHING	1
5	MOUNTING PLATE	1
6	NAME PLATE	1
7	SENSOR	1
8	MAGNET	1
9	GASKET	1
10	WIPER SEAL	1
11	O-RING 7.59 x 2.62 C/S	1
12	O-RING 13.95 x 2.62 C/S	1
13	NON FALLING SCREW	4
14	HEXAGONAL BOLT	1
15	SCREW M3 x 16	2
16	SCREW M4 x 8	2
17	SCREW M3 x 8	3
18	ROUND HEAD SCREW	2
19	WASHER	1
20	SPRING PIN	1
21	CLAMP	2
22	RETAINER RING	1
23	PLUG	3

S.NO.	DESCRIPTION	QTY.
1	COVER	1
2	HOUSING	1
3	SHAFT	1
4	SHAFT BUSHING	1
5	MOUNTING PLATE	1
6	NAME PLATE	1
7	SENSOR	1
8	MAGNET	1
9	GASKET	1
10	WIPER SEAL	1
11	O-RING 7.59 x 2.62 C/S	1
12	O-RING 13.95 x 2.62 C/S	1
13	NON FALLING SCREW	8
14	HEXAGONAL BOLT	1
15	SCREW M3 x 16	2
16	SCREW M4 x 8	2
17	SCREW M3 x 8	3
18	ROUND HEAD SCREW	2
19	WASHER	1
20	SPRING PIN	1
21	CLAMP	2
22	RETAINER RING	1
23	PLUG	2

## Operation principle

The K-series limit switches include from two to four inductive, mechanical or reed type switch elements. They are activated by cams that are directly driven by the actuator shaft through the limit switch shaft. Cams are set by the customer to the desired rotary travel limits. The switch elements are prewired to terminal strip

in the enclosure, permitting easy connection of switch output to external electrical monitoring system or indication devices.

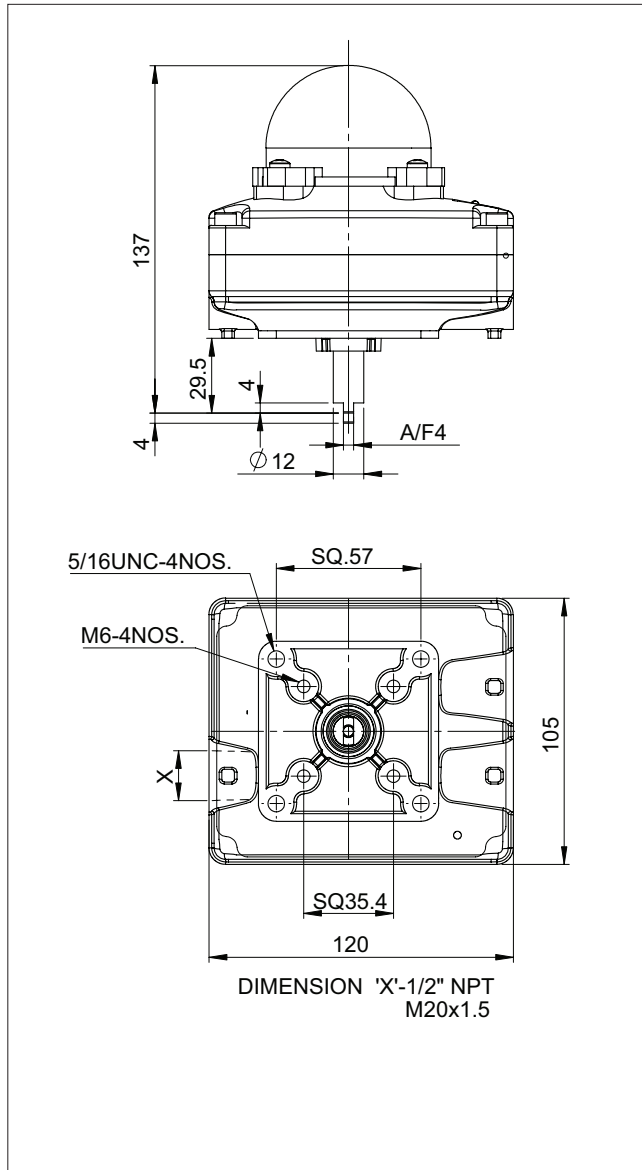
K-series limit switches also include a visual indicator on top of the enclosure cover that indicates 90° rotary travel between open and closed valve position.

## Technical specification

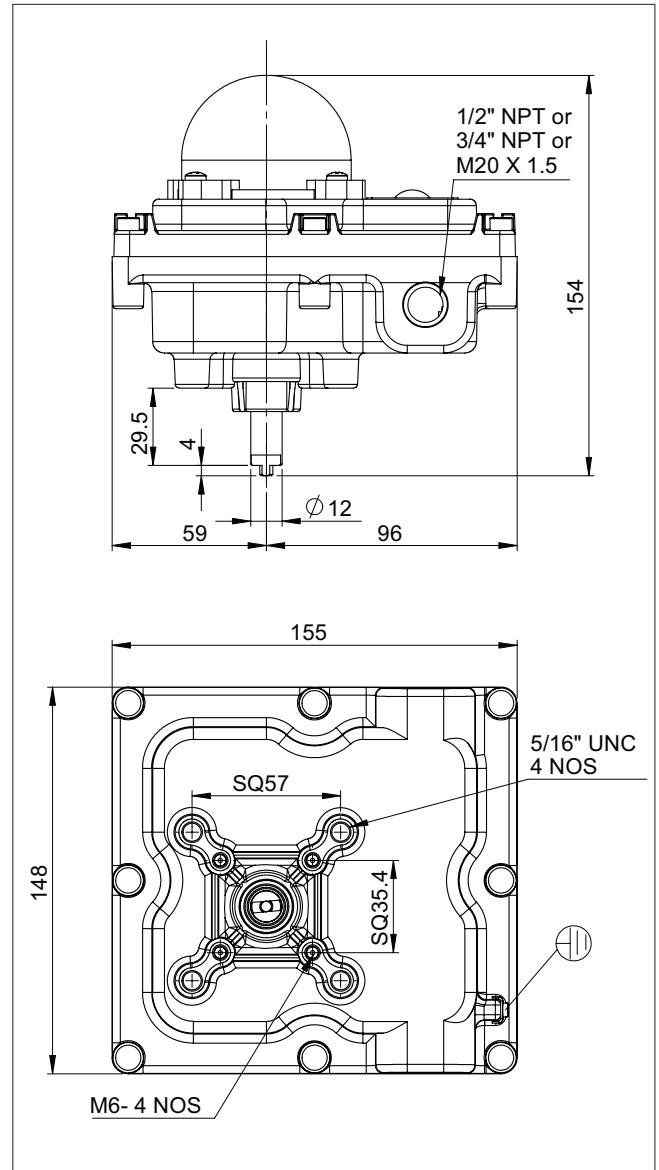
<b>Ambient temperature:</b>		<b>D1:</b>	Inductive proximity switch, P+F NJ2-V3-N 2-wire type, Namur NC nominal 8.2VDC (Ri = approx. 1 kOhm)
General:	-20 ... +80 °C / -4 ... +176 °F	Supply voltage:	
Cold:	-40 ... +80 °C / -40 ... +176 °F	Output current:	> 3 mA
High:	-20 ... +100 °C / -4 ... +212 °F (Not applicable with polycarbonate body)	Active face free:	< 1 mA
<b>Protection class:</b>	IP67	Active face covered:	< 1 mA
<b>Body:</b>		Nominal sensing range:	2 mm
KS series:	Epoxy powder coated, low copper die cast aluminum (LM6) / stainless steel (CF8M)	<b>D2 :</b>	Inductive proximity switch, P+F NBB3-V3-Z4 2-wire type, NO
KC series:	Epoxy powder coated, low copper die cast aluminum (LM6) / stainless steel (CF8M) / polycarbonate (LEXAN 3412R)	Supply voltage:	5 - 60 V DC
<b>Pointer cover:</b>	Shatter proof polycarbonate (INFINO SC-1220UR)	Operating current:	4 - 100 mA
<b>Internal parts:</b>		Off-state current:	0,4 - 0,55 mA
Shaft:	AISI304 / AISI316 (SS body)	Nominal sensing range:	3 mm
Cams:	ABS	<b>F1:</b>	Inductive proximity switch, P+F SJ3.5-N 2-wire type, Namur NC nominal 8.2VDC (Ri = approx. 1 kOhm)
PCB:	Grade FR4	Supply voltage:	
Fasteners:	AISI304	Output current:	> 3 mA
<b>Sealing:</b>	Nitrile rubber (NBR) (General temp range) Fluoro Silicon (Cold temp range) Viton (High temp range)	Active face free:	> 3 mA
<b>Conduit entry:</b>		Active face covered:	< 1 mA
KS series:	2 x M20 or 2 x 1/2 NPT or 2 x 3/4 NPT 4 x M20 or 4 x 1/2 NPT or 4 x 3/4 NPT	Slot width:	3,5 mm
KC series:	3 x M20 or 3 x 1/2 NPT	<b>F2:</b>	Inductive proximity switch, P+F SJ3.5-SN 2-wire type, Namur NC nominal 8.2VDC (Ri = approx. 1 kOhm)
<b>Weight:</b>		Supply voltage:	
KS series:	Die cast aluminum 1.7 kg / 3.8 lbs, stainless steel 4.5 kg / 9.9 lbs	Output current:	> 3 mA
KC series:	Die cast aluminum 0.7 kg / 1.6 lbs, stainless steel 2.5 kg / 5.5 lbs, polycarbonate 0.6 kg / 1.3 lbs	Active face free:	> 3 mA
<b>Switches:</b>		Active face covered:	< 1 mA
A1:	Inductive proximity switch, P+F NJ2-12GM-N 2-wire type, Namur NC	Slot width:	3,5 mm
Supply voltage:	nominal 8.2VDC (Ri = approx. 1 kOhm)	<b>R1:</b>	Reed proximity switch, Neles R1 220 V AC/DC
Output current:		Supply voltage:	
Active face free:	> 3 mA	Output current:	2000 mA
Active face covered:	< 1 mA	Operating current:	0 mA
Nominal sensing range:	2 mm	Off-state current:	0 mA
<b>A3:</b>	Inductive proximity switch, P+F NBN4-12GM40-Z0 2-wire type, NO	<b>V1:</b>	Mechanical micro switch, Honeywell V15S05-CZ100A05-01, SPDT type
Supply voltage:	5 - 60 V DC	Electrical values:	5 A @ 125/250 VAC, 100 mA @ 48 VDC or 125/250 VAC
Operating current:	2 - 100 mA	<b>W1:</b>	Mechanical micro switch, Honeywell V15S05-CZ100A05-01, DPDT type
Off-state current:	0 - 0,5 mA	Electrical values:	5 A @ 125/250 VAC, 100 mA @ 48 VDC or 125/250 VAC
Nominal sensing range:	4 mm	<b>V2:</b>	Mechanical micro switch Honeywell V7-1C17E9-201 SPDT
		Electrical values:	15 A, 125 OR 250 VAC, 500 mA, 125 VDC, 250 mA, 250 VDC (NO/ NC)
		<b>W2:</b>	Mechanical micro switch Honeywell V7-1C17E9-201 DPDT
			15 A, 125 OR 250 VAC, 500 mA, 125 VDC, 250 mA, 250 VDC (NO/ NC)

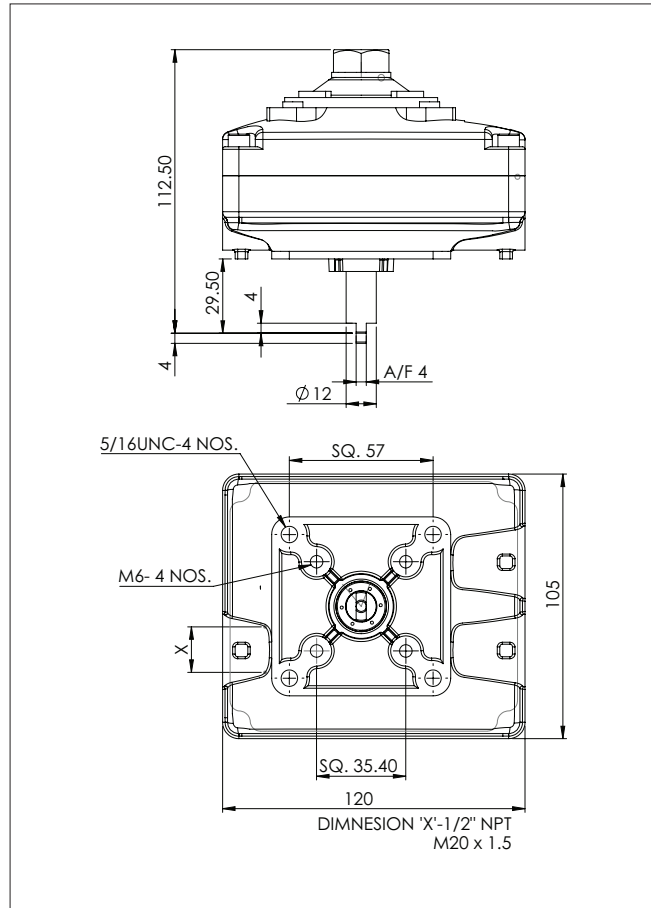
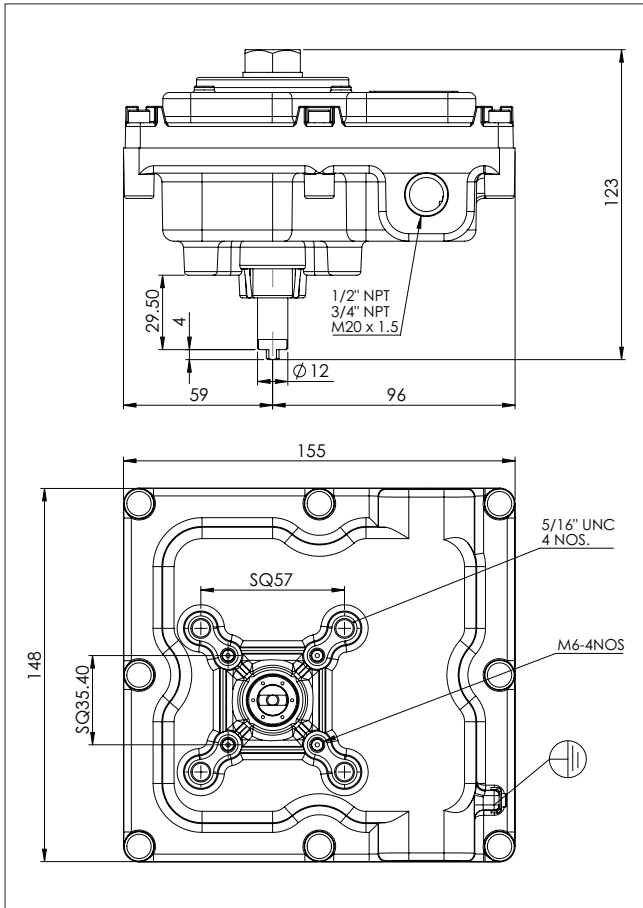
## Dimensional drawings, mm

Series KC



Series KS





## Neles Easyflow™ K-series limit switches type code

<b>1. sign</b> KC KS					<b>PRODUCT GROUP</b> Compact enclosure, weather proof Standard enclosure, Ex d capable Sign 2-1 Positioner Transmitter Module - Only applicable with Sign 3 QT and Sign 8 N			
<b>2. sign</b> 1 2 3 4					<b>Note</b> Position transmitter module  Not applicable with 1. sign KC Not applicable with 9. sign EN, CN Not applicable with 1. sign EN, CN Not applicable with 9. sign EN, CN	<b>QUANTITY OF SWITCHES</b> 1 module 2 switches 3 switches 4 switches		
	<b>3. sign</b>	<b>Manufacturer</b>	<b>Model</b>	<b>INDUCTIVE PROXIMITY SWITCHES</b>		<b>SWITCH TYPE</b>		
				<b>Note</b>				
	A1	P&F	NJ2-12GM-N	Cylindrical		8.2VDC		
	A3	P&F	NBN4-12GM40-Z0	Cylindrical		5-60V DC 100mA		
	D1	P&F	NJ2-V3-N	Flat		8.2VDC, 3mA, NC		
	D2	P&F	NBB3-V3-Z4	Flat				
	F1	P&F	SJ3.5-N	Slot		8 VDC, >3 mA ; <1 mA (NC)		
	F2	P&F	SJ3.5-SN	Slot		8.2VDC >3 mA ; <1 mA (NC)		
	W4	P&F	NJ2-V3-N	Flat limit switch having total 4 sensors with 2 open and 2 close combination only		8.2VDC 3 mA, NC		
		<b>Manufacturer</b>	<b>Model</b>	<b>REED TYPE PROXIMITY SWITCHES</b>		<b>Electrical values</b>		
				<b>Note</b>				
	R1	Neles	R1	SPDT, Not applicable with 1. sign KC Only applicable with 7. sign G and C		2 A, 220 VAC/VDC		
		<b>Manufacturer</b>	<b>Model</b>	<b>MECHANICAL MICRO SWITCHES</b>		<b>Electrical values</b>		
				<b>Note</b>				
	V1	Honeywell	V15S05-CZ100A05-01	SPDT		5 A, 125 OR 250 VAC, 100 mA, 48 VDC (NO/NC), 30 mA, 250 VDC (NO/NC)*		
	V2	Honeywell	V7-1C17E9-201	SPDT		15 A, 125 OR 250 VAC, 500 mA, 125 VDC, 250 mA 250 VDC (NO/ NC)		
	W1	Honeywell	V15S05-CZ100A05-01	DPDT Not applicable with 1. sign KC Only applicable with 2. sign 2"		5 A, 125 OR 250 VAC, 100 mA, 48 VDC (NO/NC), 30 mA, 250 VDC (NO/NC)*		
	W2	Honeywell	V7-1C17E9-201	DPDT Not applicable with 1. sign KC only applicable with 2. sign 2		15 A, 125 OR 250 VAC, 500 mA, 125 VDC, 250 mA, 250 VDC (NO/ NC)		
	V5	Unionwell	G5S05-C1Z100A05-T116U	SPDT		5 A @ 125/250 VAC, 100 mA @ 48 VDC or 125/250 V AC Temperature range -20 °C ... 85 °C V6		
	V6	Unionwell	G5T16-C1Z100A05-KU	SPDT		16 A, 125 OR 250 VAC, 500 mA, 125 VDC, 250 mA, 250 VDC (NO/NC)		
	W5	Unionwell	G5S05-C1Z100A05-T116U	DPDT, Applicable only with 1. sign "KS"		5 A @ 125/250 VAC, 100 mA @ 48 VDC or 125/250 V AC Temperature range -25 °C ... 85 °C		
	W6	Unionwell	G5T16-C1Z100A05	DPDT Applicable with 1 sign KS.		15 A, 125 OR 250 VAC, 500 Ma, 125 VDC, 250 Ma, 250 VDC (NO/NC)		
	QT	Positioner Transmitter Module			<b>DIGITAL POSITION TRANSMITTER</b> 2 WIRE 4-20mA ,10-40VDC			
	<b>4. sign</b> A S P					<b>ENCLOSURE MATERIAL</b> Diecast aluminum (LM6) Stainless steel CF8M (AISI 316 / CF8M) Polycarbonate		
				<b>Note</b> Only with 1. sign KC				
	<b>5. sign</b> 2 3 4					<b>QUANTITY OF CONDUIT ENTRIES</b> 2 entries 3 entries 4 entries		
				<b>Note</b> Only with 1. sign KS				
	<b>6. sign</b> M N L					<b>CABLE ENTRY</b> M20x1.5 1/2NPT 3/4NPT		
				<b>Note</b> Only with 1. sign KS				
	<b>7. sign</b> G C H					<b>TEMPERATURE RANGE</b> General (-20 - +80 °C) Cold temperature (-40 - +80 °C), High temperature (-20 - +100 °C)		
				<b>Note</b> Only with 3. signs F2, R1, V2 and W2 Not Applicable only with Sign 3- QT type Not applicable with 9. sign EN, CN. Not applicable with 4. sign P Only applicable with 3. signs A1, D1, F1, F2 and R1 With aluminum indicator, no polycarbonate dome Only to temperature class T4 Not Applicable only with Sign 3- QT type				
				<b>Note</b> Only with 1. sign KS				
	<b>8. sign</b> R G N					<b>VISUAL INDICATOR</b> Red and yellow Red and green No Indicator ( Only applicable with Positioner Transmitter module Sign 2-1		
				<b>Note</b> Only with 1. sign KS				
	<b>9. sign</b> NN EN CN CC					<b>APPROVALS</b> No approvals ATEX / IECEx Exd/ Ext Applicable only with 1. sign "KS" - Not applicable with Sign 3-QT Type CCOE Applicable only with 1. sign "KS" - Not applicable with Sign 3-QT Type CCC Applicable only with 1. sign "KS" - Not applicable with Sign 3-QT Type		
				<b>Note</b> Only with 1. sign KS				
KS	2	A1	A	2	M	G	R	NN

**Valmet Flow Control Private Limited**

Plot no:560 Manpada Road  
Dombivli East, Maharashtra 421204  
[www.valmet.com/flowcontrol](http://www.valmet.com/flowcontrol)

Subject to change without prior notice.

Neles, Neles Easyflow, Jamesbury, Stonel, Valvcon and Flowrox, and certain other trademarks, are either registered trademarks or trademarks of Valmet Oyj or its subsidiaries in the United States and/or in other countries.

