

# NOM...H...SERIES

## ELECTRIC ACTUATORS FOR BUTTERFLY VALVES

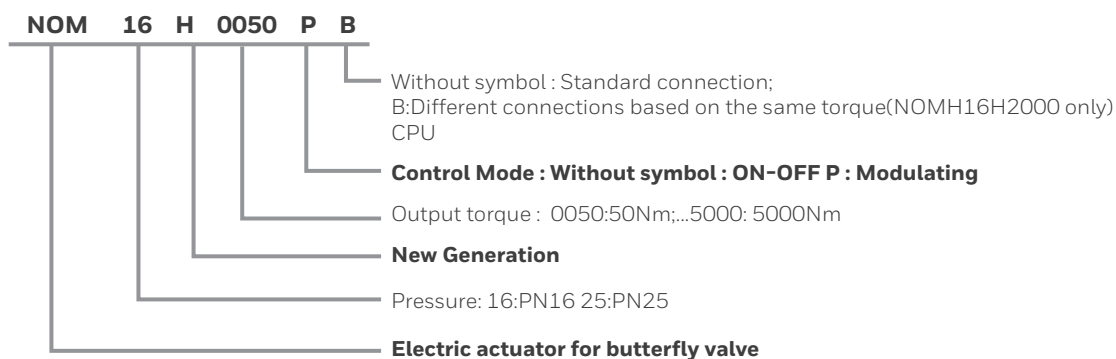
NOM...H... series electric actuators for butterfly valves are suitable for V8 and V9 series, which are used in water systems such as buildings/public buildings/urban pipe networks control, it's possible to offer ON-OFF control and modulating control as option, and 4~20mA, 0~10V/2-10V signals are available for the modulating control.



## TECHNICAL DATA

Electrical data	
Power Supply	AC220V±10% 50/60HZ
Limit switch	2×SPDT, 250V AC 5A
Auxiliary switch	2×SPDT, 250V AC 5A
Cable entries	2×M20*1.5
ON-OFF Type (NOM...)	Input signal:ON-OFF;Output signal:ON-OFF+Dry contact
Modulating Type (NOM...P)	Input signal:4~20mA(Default),0~10V/2~10V/0~20mA adjustable Output signal: Dry contact+ 4~20mA(Default),0~10V/2~10V/0~20mA adjustable
Functional data	
Torque range	50-5000Nm
Angle of rotation	90°
Manual operation	Handwheel
Mounting base	ISO5211 standard
Position indicator	3D indicator
Safety	
Degree of protection	IP67,(IP68 as option)
CE	EMC: 2014/30/EU LVD: 2014/35/EU
Ambient temperature	-30°C~ 65° C
Thermal protection	Built-in thermal protection starting 125° C±5° C
Status of power Lost	Stop
Status of signal Lost	4~20mA/2~10V:Fully open/Fully closed adjustable(Default:Stop) 0~10V:Fully closed
Double anti-condensation protection	Heater AC220V,5W Anti-condensation Vent plug
counter unit	Built-in counter unit to record the running times (200Nm-5000Nm)

# ORDER CODE



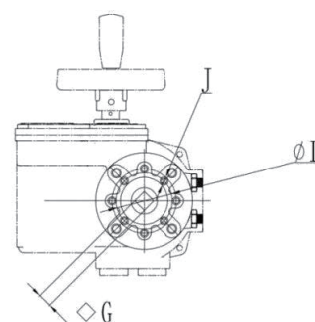
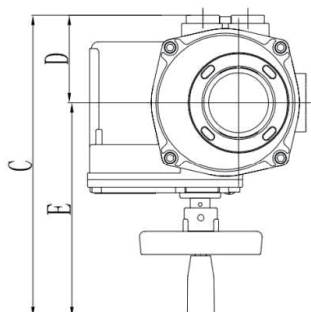
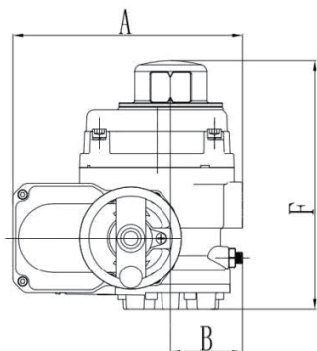
**Matching table of butterfly valve and Electric actuator** (Close-off pressure of below items:1000kpa)

Size	ON/OFF	Modulating	Actuator Torque Nm	Running time(50Hz)	Motor Consumption(VA)	Heater(W)
DN50	NOM16H0050	NOM16H0050P	50	20	48	5
DN65	NOM16H0050	NOM16H0050P	50	20	48	5
DN80	NOM16H0050	NOM16H0050P	50	20	48	5
DN100	NOM16H0050	NOM16H0050P	50	20	48	5
DN125	NOM16H0080	NOM16H0080P	80	30	48	5
DN150	NOM16H0200	NOM16H0200P	200	30	92	5
DN200	NOM16H0200	NOM16H0200P	200	30	92	5
DN250	NOM16H0400	NOM16H0400P	400	30	136	5
DN300	NOM16H0400	NOM16H0400P	400	30	136	5
DN350	NOM16H1000B	NOM16H1000BP	1000	54	220	5
DN400	NOM16H2000	NOM16H2000P	2000	70	286	5
DN450	NOM16H2000B	NOM16H2000BP	2000	70	286	5
DN500	NOM16H4000B	NOM16H4000BP	4000	140	286	5
DN600	NOM16H4000B	NOM16H4000BP	4000	140	286	5

# DIMENSION

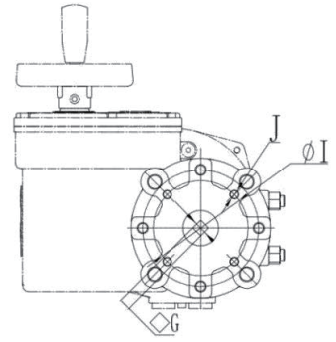
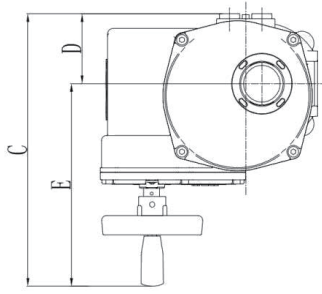
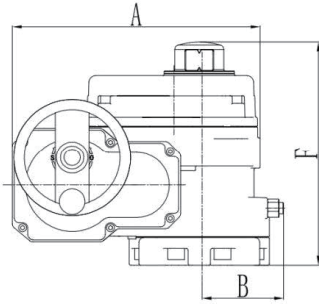
## ON-OFF Type

Notice: Multiple stem adaptors of NOM16H0200(P)/NOM16H0400(P) to meet the different sizes of butterfly valve.

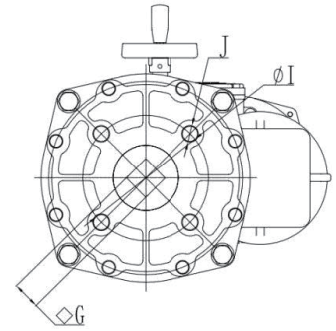
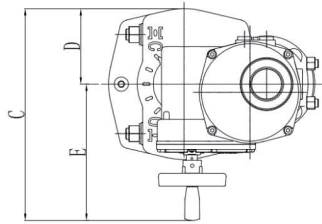
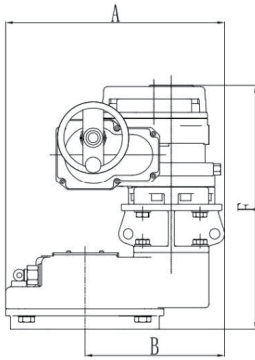


NOM16(25)H0050/NOM16(25)H0080

# DIMENSION

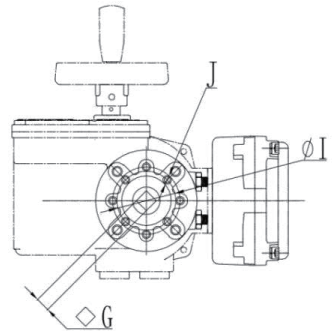
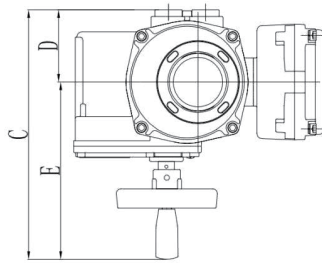
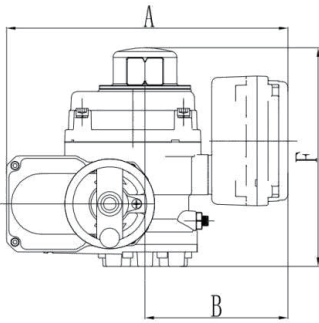


NOM16(25)H0200/NOM16(25)H0400/NOM16(25)H0600/NOM16(25)H0800/NOM16(25)H1000

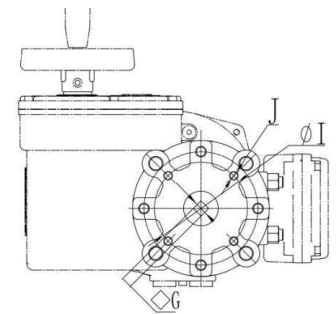
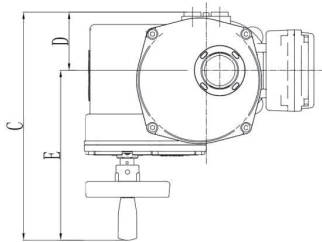
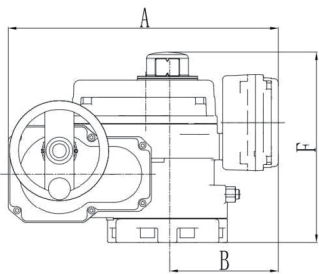


NOM16(25)H2000(B)/NOM16(25)H4000/NOM16(25)H5000

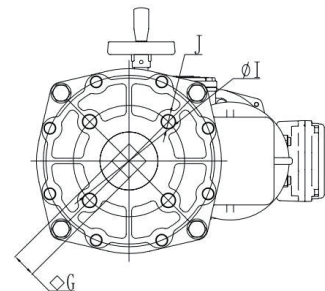
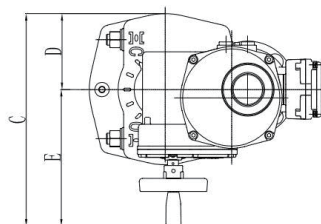
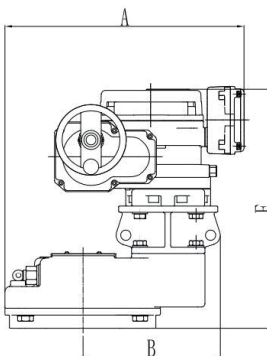
## Modulating Type



NOM16(25)H0050P/NOM16(25)H0080P



NOM16(25)H0200P/NOM16(25)H0400P/NOM16(25)H0600P/NOM16(25)H0800P/NOM16(25)H1000P

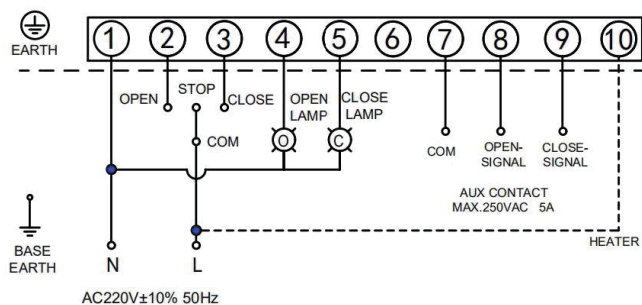


NOM16(25)H2000P(B)/NOM16(25)H4000P/NOM16(25)H5000P

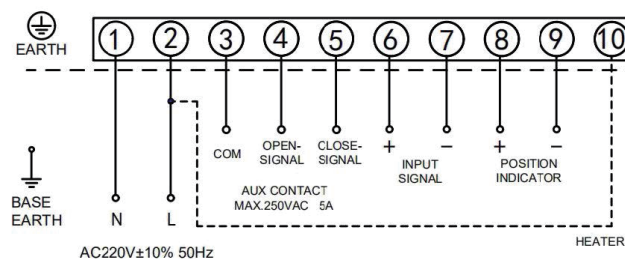
Size	Dimension(mm)						Weight(Kg)
	A	B	C	D	E	F	
NOM16(25)H0050	166	52	236	66	170	180	3.3
NOM16(25)H0080	166	52	236	66	170	180	3.5
NOM16(25)H0200	243	84	342	82	260	214	10
NOM16(25)H0400	243	84	342	82	260	214	10.5
NOM16(25)H0600	243	84	342	82	260	214	11
NOM16(25)H0800	265	90	355	86	269	239	15.5
NOM16(25)H1000(B)	265	90	355	86	269	239	16
NOM16(25)H2000(B)	380	241	406	137	269	420	52
NOM16(25)H4000(B)	380	241	406	137	269	420	55
NOM16(25)H5000	380	241	406	137	269	420	57
NOM16(25)H0050P	234	121	236	66	170	180	4.5
NOM16(25)H0080P	234	121	236	66	170	180	4.7
NOM16(25)H0200P	303	132	342	82	260	214	11.2
NOM16(25)H0400P	303	132	342	82	260	214	11.7
NOM16(25)H0600P	303	132	342	82	260	214	12.2
NOM16(25)H0800P	343	143	355	86	269	239	16.7
NOM16(25)H1000P(B)	343	143	355	86	269	239	17.2
NOM16(25)H2000P(B)	420	241	406	137	269	425	53.2
NOM16(25)H4000P(B)	420	241	406	137	269	425	56.2
NOM16(25)H5000P	420	241	406	137	269	425	58.2

## WIRING DRAWING

### ON-OFF Type



### Modulating Type



### For more information

[buildings.honeywell.com.cn](http://buildings.honeywell.com.cn)

### Honeywell Building Technology

#### China Head Quater

Building #1, 555 Huanke Road  
Pudong New Area, Shanghai  
+86 400-842-8487

#### HongKong / Macau Office

Unit 501, 5/F, Goldin Financial Global Centre  
17 Kai Cheung Road, Kowloon Bay, Kowloon,  
Hong Kong  
T +852-2331913

HBT-Security-nom...h...series-Mar.2022 EN/V  
©2022 Honeywell International Inc.

THE  
FUTURE  
IS  
WHAT  
WE  
MAKE IT

**Honeywell**