

CN20, CN34 SERIES

NON-SPRING RETURN DIRECT-COUPLED DAMPER ACTUATORS FOR MODULATING AND FLOATING / 2-POSITION CONTROL

PRODUCT DATA



GENERAL

These direct-coupled damper actuators provide modulating control for:

- air dampers,
- VAV units,
- air handling units,
- ventilation flaps,
- louvers, and
- reliable control for air damper applications with up to 4.6 m² / 50 sq.ft. (20 Nm / 177 lb-in) or 7.8 m² / 85 sq. ft. (34 Nm / 300 lb-in) (seal-less dampers; air friction-dependent).

FEATURES

- Self-centering shaft adapter
- Access cover to facilitate connectivity
- Service/off for safe & easy servicing
- Rotation direction selectable by switch
- Declutch for manual adjustment
- Mechanical end limits
- Field-installable auxiliary switches
- Mountable in any orientation (no IP54 if upside down)
- Mechanical position indicator
- CE and UL certified

SPECIFICATIONS

Supply voltage	24 Vac/dc ±15%, 50/60 Hz;
Nominal voltage	24 Vac/dc, 50/60 Hz;
<i>All values stated hereinafter apply to operation under nominal voltage conditions.</i>	
Power consumption	
CN7220A2007	6 VA / 3 W
CN7234A2008	6 VA / 3 W
Ambient limits	
Ambient operating limits	-20...+60 °C (-5...+140 °F)
Ambient storage limits	-40...+80 °C (-40...+175 °F)
Relative humidity	5...95%, non-condensing
Safety	
Protection standard	IP54 as per EN 60529
Protection class	II as per EN 60730-1
Overvoltage category	II
Lifetime	
Full strokes	60000
Repositions	1.5 million
Mounting	
Round damper shaft	10...27 mm (3/8...1-1/16")
Square damper shaft	10...18 mm (3/8...11/16"); 45° steps
Shaft length	min. 22 mm (7/8")
Control signal	
	0(2)...10 Vdc
	0(4)...20 mA
Input impedance	>100 kΩ [0...10 V] 500 Ω [0...20 mA]
Feedback signal	
Limits	± 1 mA at 0...10 V
End switches (when included)	
Rating	5 A (resistive) / 3 A (inductive)
Triggering points	5° / 85°
Torque rating	
CN7220A2007	20 Nm (177 lb-in)
CN7234A2008	34 Nm (300 lb-in)
Runtime	
	95 sec (60 Hz) / 110 sec (50 Hz or DC supply)
Rotation stroke	95° ± 3°
Dimensions	see "Dimensions" on page 8
Weight (without cables)	1.35 kg (3 lbs.)
Noise rating	40 dB(A) max. at 1 m
Certification	CE & UL

MODELS

Model #	Description
CN7220A2007	20Nm,24Vac/Vdc, Modulating and floating/2-position control, Non-Spring return, Voltage Feedback Signal and without aux. Switch
CN7234A2008	34Nm,24Vac/Vdc, Modulating and floating/2-position control, Non-Spring return, Voltage Feedback Signal and without aux. Switch

PRODUCT IDENTIFICATION SYSTEM

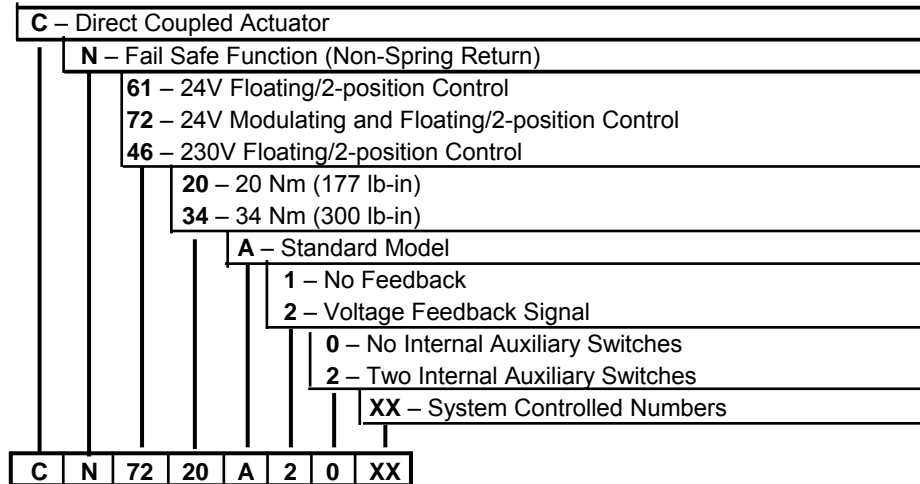


Fig.1. Product Identification System

OPERATION / FUNCTIONS

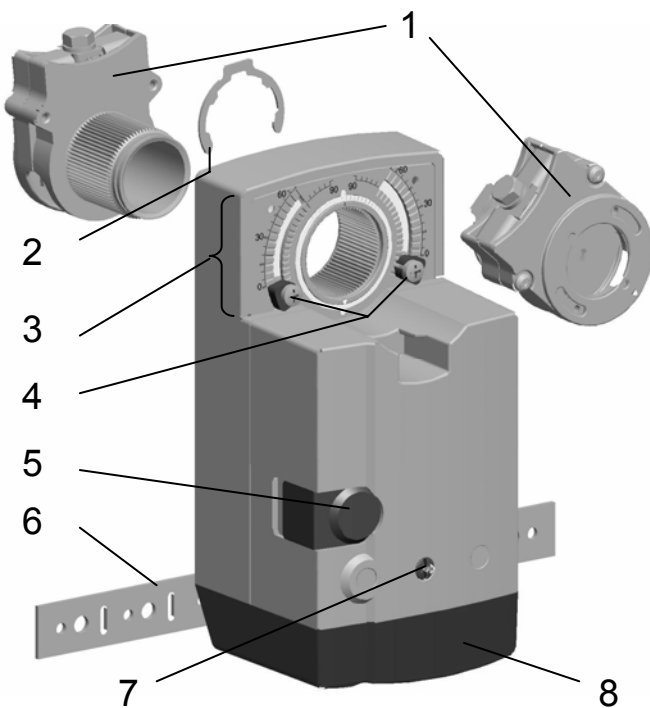


Fig. 2. Setting units and control elements

Legend for Fig.2:

- 1 Self-centering shaft adapter
- 2 Retainer clip
- 3 Rotational angle scales (0...90° / 90...0°)
- 4 Mechanical end limits
- 5 Declutch button
- 6 Anti-rotation bracket
- 7 Function Selection Switch
- 8 Access cover

Contents of Package

The delivery package includes the actuator itself, parts 1 through 8 (see Fig.2), the anti-rotation bracket screws, and installation instruction.

RUN MODES

The function selection switch (see Fig 3) is used to place the actuator into any one of five different modes:

- 2-10V, modulating control; floating/2-position control, cw run
- 0-10V/Dir, modulating control; floating/2-position control, cw run
- Service/Off, actuator stop running
- 10-0V/Rev, modulating control; floating/2-position control, ccw run

- 10-2V, modulating control; floating/2-position control, ccw run



Fig.3. Function selection switch

Power-Off Behavior

If power is removed, the actuator retains its position.

Service/Off

If the function selection switch is set to the "Service/Off" position, all rotary movement is cancelled, and all control signals are ignored, thus allowing the actuator to be safely manually operated.

Floating/2-Position Run Mode

If the function selection switch has been set to one of the four positions (2-10V, 0-10V/Dir, 10-0V/Rev, 10-2V) – and the actuator is wired as Floating/2-position mode (see A2 and A3) – then as soon as operating power is applied, the actuator will run clockwise or counterclockwise.

Modulating Run Mode

If the function selection switch has been set to one of the four positions (2-10V, 0-10V/Dir, 10-0V/Rev, 10-2V) – and the actuator is wired as modulating mode (see A1) – as soon as operating power is applied, the actuator will run according to the control signals applied. If terminal 5 is also wired, the actuator will output the voltage feedback signal(0/2-10V) proportional to actuator's actual position. Alternatively, if terminal 4 is wired and powered on, actuator will override the control signal and immediately come to a position of 0% of max. stroke.

Table 1 describes the actuator behavior (stops, rotates CCW, or rotates CW) for the floating mode in relation to the control signals applied to terminals 3 and 4 and to the function selection switch setting.

Table 2 describes the actuator behavior (stops, rotates CCW, or rotates CW) for the 2-position mode in relation to the control signals applied to terminals 3 and 4 and to the function selection switch setting.

Table 3 describes the actuator behavior (stops, rotates CCW, rotates CW, runs in proportional position, or runs to 0% of max. stroke) for the modulating mode in relation to the control signals applied to terminals 3 and 4 and to the function selection switch setting.

Table 1. Shaft adapter behavior in the floating mode

Control signal at		Function selection switch settings				
Terminal 3	Terminal 4	2...10V	0...10V /Dir	Service / Off	10...0V /Rev	10...2 V
open	open	stops	stops	stops	stops	stops
open	24 Vac/dc	CCW	CCW	stops	CW	CW
24 Vac/dc	open	CW	CW	stops	CCW	CCW

Table 2. Shaft adapter behavior in the 2-position mode

Control signal at		Function selection switch settings				
Terminal 3	Terminal 4	2...10V	0...10V /Dir	Service / Off	10...0V /Rev	10...2 V
24 Vac/dc	open	CW	CW	stops	CCW	CCW
24 Vac/dc	24 Vac/dc	CCW	CCW	stops	CW	CW

Table 3. Shaft adapter behavior in the modulating mode

Control signal at		Function selection switch settings				
Terminal 3	Terminal 4	2...10V	0...10V /Dir	Service / Off	0...10V /Rev	10...2 V
Open	open	--	--	stop	--	--
	24 Vac/dc	0% (most left)	0% (most left)	stop	0%(most right)	0% (most right)
< min. control signal plus 0.24V	open	--	--	stop	--	--
	24 Vac/dc	0% (most left)	0% (most left)	stop	0%(most right)	0% (most right)
between min. control signal plus 0.24V and max. control signal minus 0.24V	open	proportional	proportional	stop	proportional	proportional
	24 Vac/dc	0% (most left)	0% (most left)	stop	0%(most right)	0% (most right)
> max. control signal minus 0.24V	open	--	--	stop	--	--
	24 Vac/dc	0% (most left)	0% (most left)	stop	0%(most right)	0% (most right)

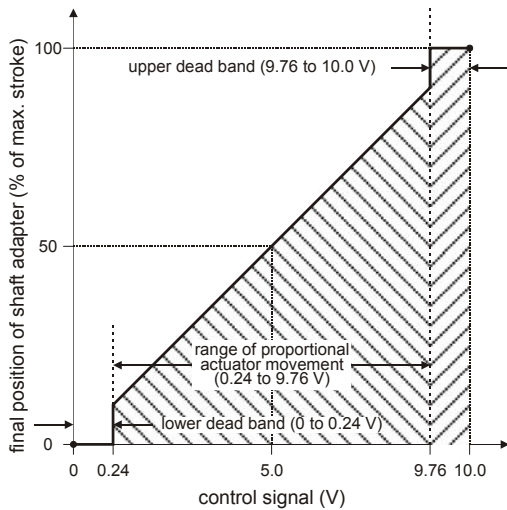


Fig.4. Final actuator position in dependence upon control signal (example selection setting of 0...10 V)

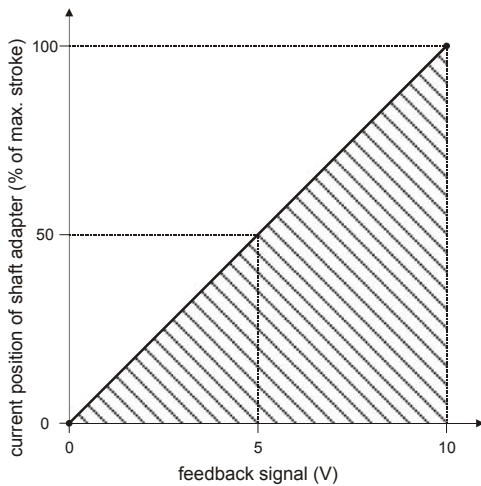


Fig.5. Feedback signal in dependence upon current position of actuator (example selection switch setting of 0...10 V)

Adaption

Adaption is a function in which the actuator re-maps its feedback signal and control signal in accordance with repositioned mechanical end limits (see Fig.6) and thus recognizes their new positions.

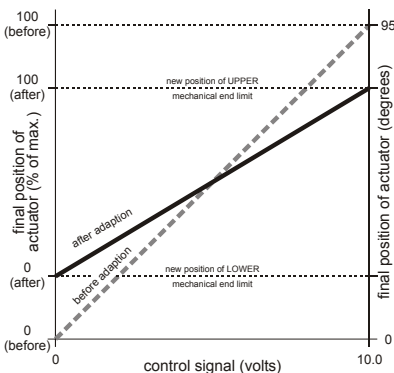


Fig.6. Adaption (selection switch set to "0...10 V")

Adaption will be carried out only when:

- Modulating models only, such as CN7220A2007, CN7234A2008, etc,
- actuator is wired in modulating mode (see Fig. A1)
- the control signal's value rises up into the upper dead band (i.e to more than the max. control signal minus 0.14V) or drops down into the lower dead band (i.e to less than the min. control signal plus 0.14V), and if the shaft adapter can remain at the respective (upper or lower) mechanical end limit at least 3 seconds, the actuator will recognize the new position automatically, and auto-adaption is happened (see Fig. 4).

Sleep Mode

When actuator reaches end stop or any obstacles blocking its running, it will fall into sleep mode automatically. Actuator will periodically start up and try to resume running, which will save energy significantly through whole service life.

Overriding

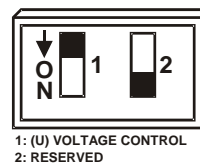
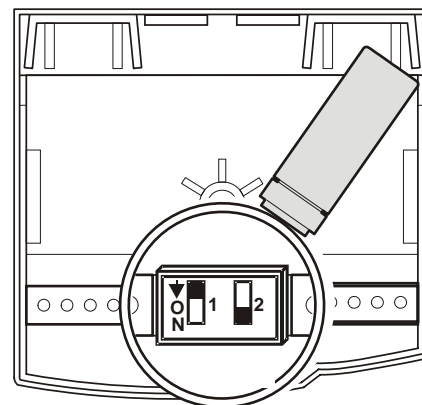
An override is a condition in which a 24 V signal is applied to terminal 4 of an actuator in the modulating mode, thus causing the actuator to ignore the control signal at terminal 3, whereupon it will instead move to a position of 0% of its maximum stroke. It would be the most left side [0/2~10V mode] or most right side [10~0/2 V mode] (see Table 3).

Feedback

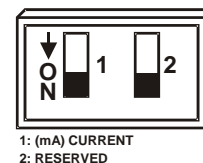
If correspondingly wired (see A1), the actuator provides, via terminal 5, a feedback signal(0/2~10V) proportional to the actual position of the actuator (see Fig. 5).

Dip Switches

The actuator is equipped with two dip switches (only switch 1 selectable) accessible after removing the access cover (see Fig. 7).



1: (U) VOLTAGE CONTROL
2: RESERVED



1: (mA) CURRENT
2: RESERVED

Fig.7. Dip switches (view with PCB at bottom)

Voltage/Current Control Signal Selection Dip Switch

In its default shipping position, the voltage/current control signal dip switch (see Fig. 7) is set to **OFF** (= voltage control), as shown in Fig. 7. Setting it to ON results in current control 4...20mA.

Position Indication

The hub adapter indicates the rotation angle position by means of the rotational angle scales (0...90° / 90...0°).

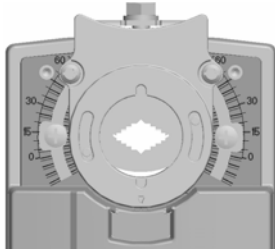


Fig.8. Position indication

Manual Adjustment

! IMPORTANT

In order to prevent equipment damage, you must remove power set the rotation direction switch to the "Service/Off" before manual adjustment.

After removing power or setting the rotation direction switch to the "Service/Off" position, the gear train can be disengaged using the declutch button, permitting the actuator shaft to be manually rotated to any position. The feedback signal will then follow the new position.

Limitation of Rotation Stroke

Two mechanical end limits (adjustable in 5° increments) are provided to limit the angle of rotation as desired (see Fig.9).



Fig.9. Mechanical end limits

The mechanical end limits must be securely fastened in place. It is important that they properly mesh with the rotational angle scales when the screws are tightened.

Internal End Switches

NOTE: Applicable to models with internal switches only.

The internal end switches are set to change from "common" to "normally open" at angles of 5° and 85°, respectively, from the totally counterclockwise position.

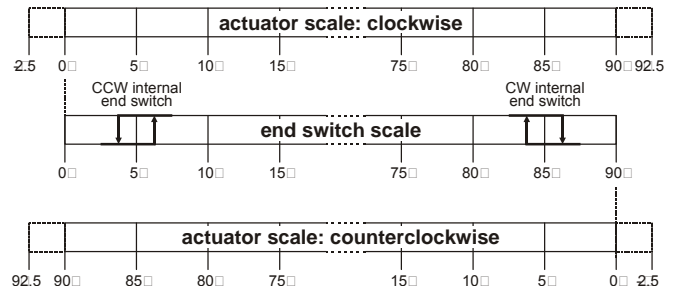


Fig. 10. Internal end switches

INSTALLATION

These actuators are designed for single-point mounting.

! IMPORTANT

In order to prevent equipment damage, you must remove power or set the rotation direction switch to the "Service/Off" position before manual operation.

Mounting Instructions

All information and steps are included in the installation instructions supplied with the actuator.

Mounting Position

The actuators can be mounted in any desired orientation (no IP54 if mounted upside down; see Fig.11). Choose an orientation permitting easy access to the actuator's cables and controls.

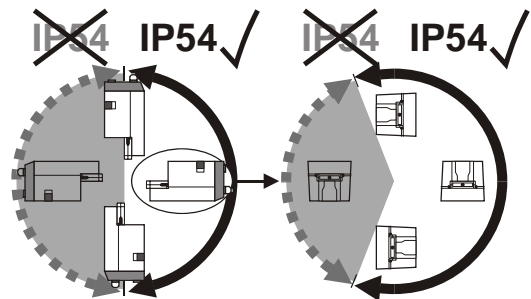


Fig. 11. Mounting for IP54

Mounting Bracket and Screws

If the actuator is to be mounted directly on a damper shaft, use the mounting bracket and screws included in the delivery package.

Self-Centering Shaft Adapter

The self-centering shaft adapter can be used for shafts having various diameters (10...27 mm [3/8...1-1/16"]) and shapes (square or round).

In the case of short shafts, the shaft adapter may be reversed and mounted on the duct side.

Stroke Limitation with Mechanical End Limits

The mechanical end limits enable the stroke to be limited from 0...90° in increments of 5°.

Wiring

Connecting to the Power Supply

In order to comply with protection class II, the power source of 24 V actuators must be reliably separated from the network power supply circuits as per DIN VDE 0106, part 101.

Access cover

To facilitate wiring the actuator to the controller, the access cover can be detached from the actuator.

IMPORTANT

Remove power before detaching the access cover. Once the access cover has been removed, please take care to avoid damaging any of the parts now accessible.

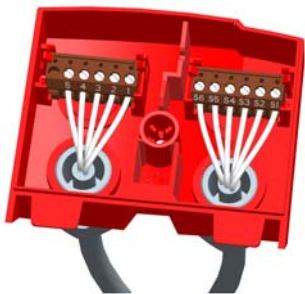


Fig. 12. Access cover (models with internal switches)

Depending upon the model, the access cover may have one or two terminal strips, including a layout with a description for each of the terminals.

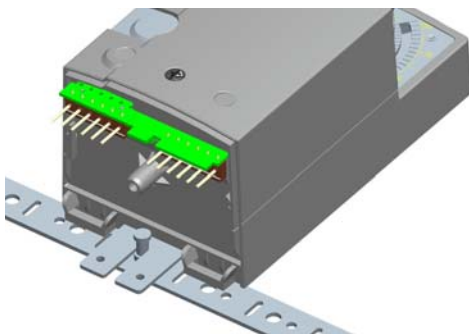


Fig. 13. Actuator with access cover removed

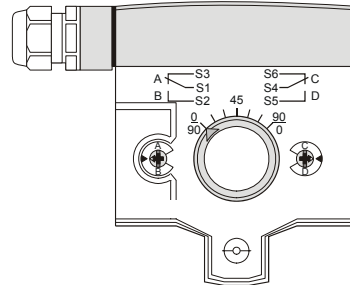
(models with internal switches)

OPTIONAL ACCESSORIES

The following optional accessories can be ordered separately.

Auxiliary Switch Kit

Order no.: SW2



The auxiliary switches are field-installable parts providing two SPDT freely-adjustable switches.

SPARE PARTS

Spare Parts Kit

Order no.: A7209.2071

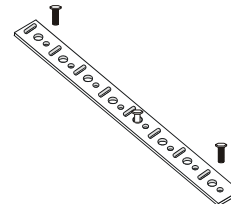
The spare parts kit contains the following items:

- Anti-rotation bracket and screws
- Access cover screw
- Plastic protective cap for protection standard IP54
- Mechanical end limit screw and retainer

Anti-Rotation Bracket Kit

Order no.: A7209.2073

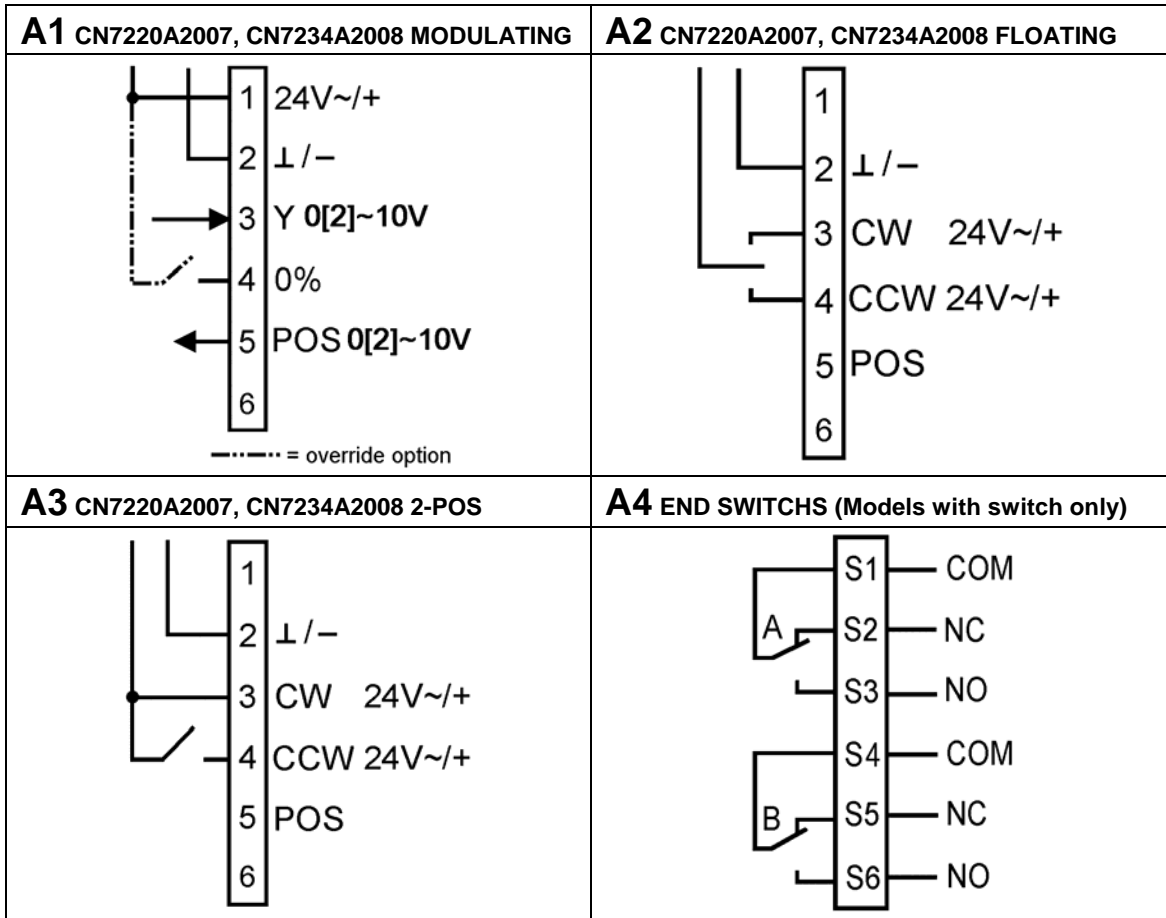
The anti-rotation bracket kit can be ordered separately.



Contains:

- 10 anti-rotation brackets
- 20 screws

Wiring Diagrams



NOTE: Internal end switches S1 and S4 must be connected to the same power source.

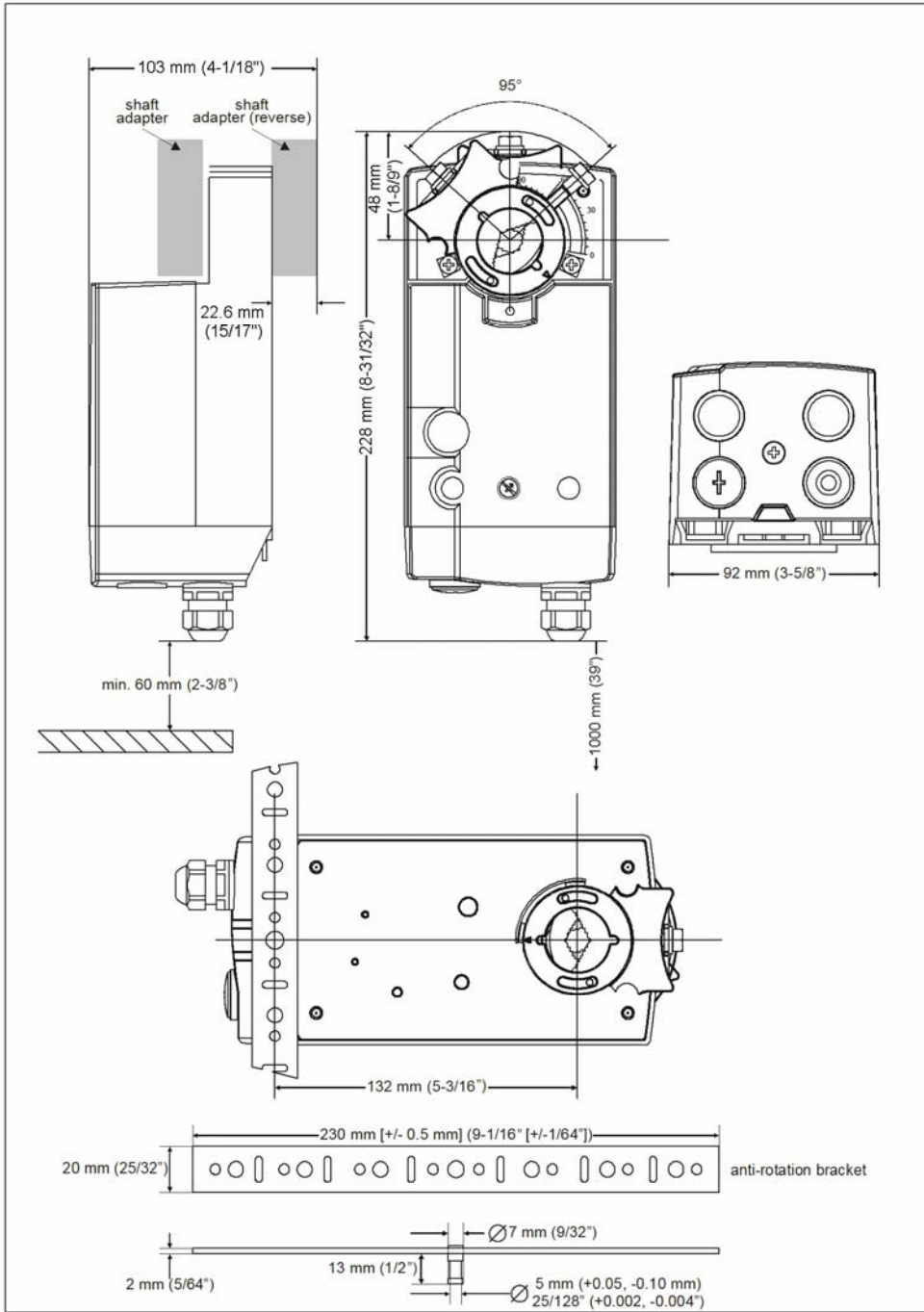
Below 2 tables summarize the information presented in the preceding wiring diagrams.

Terminal	Function selection switch		
	Modulating	Floating	2-position
1	24 V ~/+ (power)	unused	unused
2	common ⊥/-	common ⊥/-	common ⊥/-
3	0[2]...10 V (control)	24 V ~/+ (control signal)	24 V ~/+ (control signal)
4	24 V ~/+ (override)	24 V ~/+ (control signal)	24 V ~/+ (control signal)
5	0[2]...10 V (feedback)	unused	unused

NOTE: All cables connected to these terminals must be equipped with spark suppression.

Connecting cable	Terminal	Description	
End switches (Models with internal switches only)	CCW (left) 5°	S1	common
		S2	normally closed
		S3	normally open
	CW (right) 85°	S4	common
		S5	normally closed
		S6	normally open

DIMENSIONS



Honeywell

Manufactured for and on behalf of the Environmental and Combustion Controls Division of Honeywell Technologies Sàrl, Ecublens, Route du Bois 37, Switzerland by its Authorized Representative:

Automation and Control Solutions
 Honeywell International Inc.
 1985 Douglas Drive North
 Golden Valley, MN 55422

Honeywell (Tianjin) Limited
 66, BaiHe Road, TEDA
 Tianjin, 300457, P.R.C.