

Damper actuator for operating air control dampers in ventilation and air-conditioning systems for building services installations

- For air control dampers up to approx. 2 m<sup>2</sup>
- Torque 10 Nm
- Nominal voltage AC/DC 24 V
- Control: Open-close or 3-point
- Integrated auxiliary switch


**Technical data**

<b>Electrical data</b>	Nominal voltage	AC 24 V, 50/60 Hz DC 24 V
	Nominal voltage range	AC/DC 19.2 ... 28.8 V
	Power consumption	In operation 1.5 W @ nominal torque At rest 0.2 W For wire sizing 4 VA
	Auxiliary switch	1 x SPDT, 1 mA ... 3 (0.5) A, AC 250 V <input type="checkbox"/> (0 ... 100% adjustable)
	Connection	Motor Cable 1 m, 3 x 0.75 mm <sup>2</sup> Auxiliary switch Cable 1 m, 3 x 0.75 mm <sup>2</sup>
	<b>Functional data</b>	Torque (nominal torque)
Direction of rotation		Reversible with switch 0 ↺ or 1 ↻
Manual override		Gearing latch disengaged with pushbutton, self-resetting
Angle of rotation		Max. 95°↔, limited on both sides by means of adjustable, mechanical end stops
Running time		150 s
Sound power level		Max. 35 dB (A)
Position indication		Mechanical, pluggable
<b>Safety</b>	Protection class	III Safety extra-low voltage
	Degree of protection	IP54 in any mounting position
	EMC	CE according to 89/336/EEC
	Mode of operation	Type 1 (to EN 60730-1)
	Ambient temperature range	-30 ... +50 °C
	Non-operating temperature	-40 ... +80 °C
	Ambient humidity range	95% r.H., non-condensating (EN 60730-1)
	Maintenance	Maintenance-free
<b>Dimensions / Weight</b>	Dimensions	See «Dimensions» on page 2
	Weight	Approx. 850 g

**Safety notes**


- The damper actuator is not allowed to be used outside the specified field of application, especially in aircraft.
- Assembly must be carried out by trained personnel. Any legal regulations or regulations issued by authorities must be observed during assembly.
- The device may only be opened at the manufacturer's site. It does not contain any parts that can be replaced or repaired by the user.
- The cables must not be removed from the device.
- When calculating the required torque, the specifications supplied by the damper manufacturers (cross section, design, installation site), and the air flow conditions must be observed.
- The device contains electrical and electronic components and is not allowed to be disposed of as household refuse. All locally valid regulations and requirements must be observed.

**Product features**

- Simple direct mounting** Simple direct mounting on the damper spindle with a universal spindle clamp, supplied with an anti-rotation strap to prevent the actuator from rotating.
- Manual override** Manual operation is possible with the self-resetting pushbutton (the gearing latch remains disengaged as long as the pushbutton is pressed).
- Adjustable angle of rotation** Adjustable angle of rotation with mechanical end stops.
- High functional reliability** The actuator is overload-proof, requires no limit switches and automatically stops when the end stop is reached.
- Flexible signalization** Flexible signalization with adjustable auxiliary switch (0 ... 100%).

**Accessories**

	Description	Data sheet
Electrical accessories	Auxiliary switch S..A..	T2 - S..A..
	Feedback potentiometer P..A..	T2 - P..A..
Mechanical accessories	Various accessories (clamps, shaft extensions etc.)	T2 - Z-NM..A..

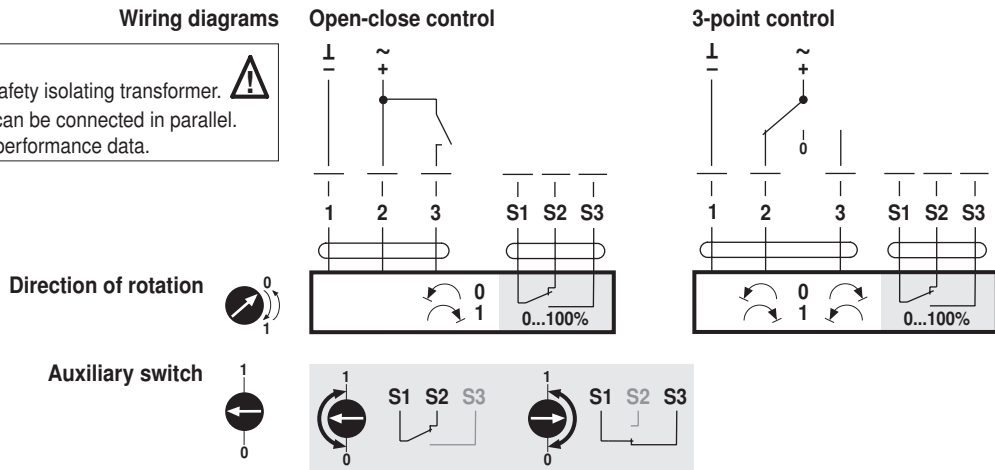
**Electrical installation**

**Wiring diagrams**

**Notes**

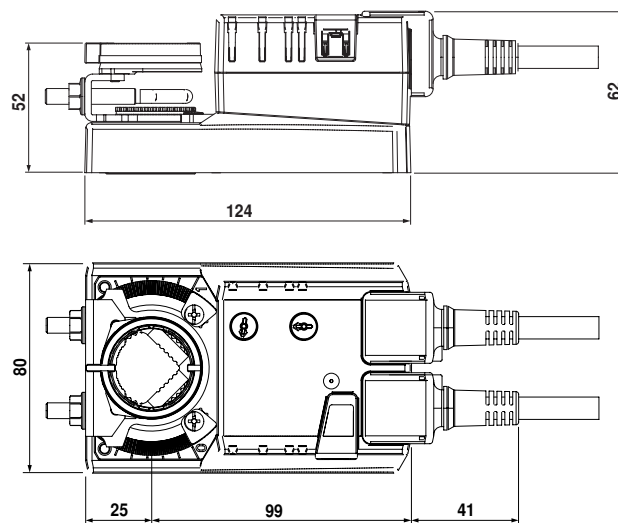
- Connection via safety isolating transformer.
- Other actuators can be connected in parallel.

Please note the performance data.



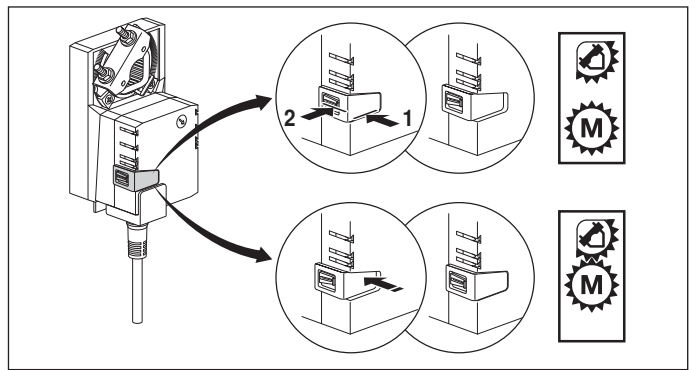
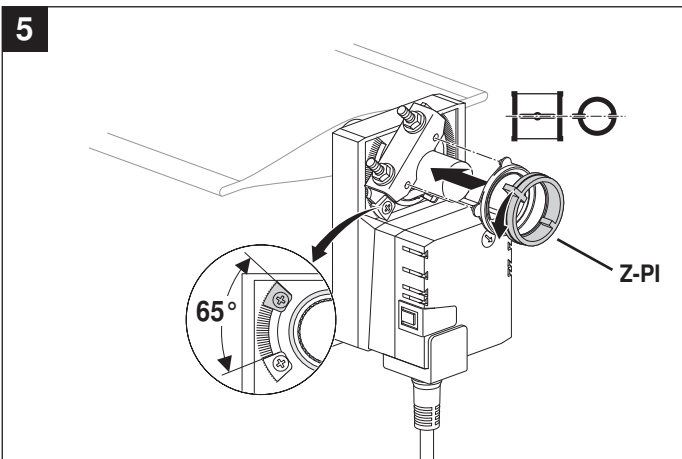
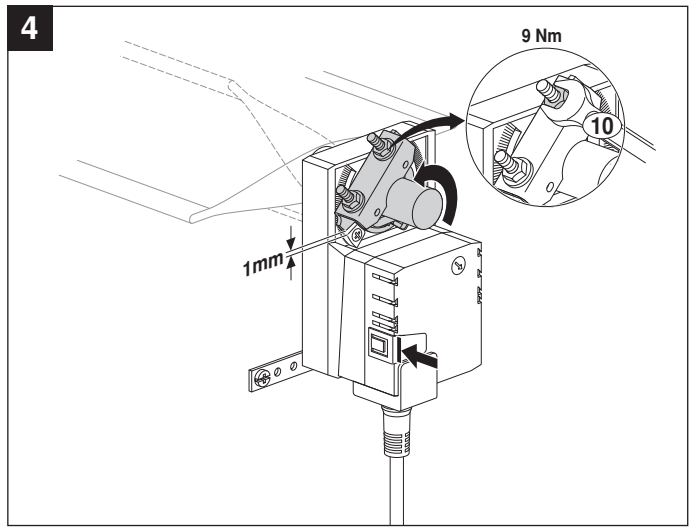
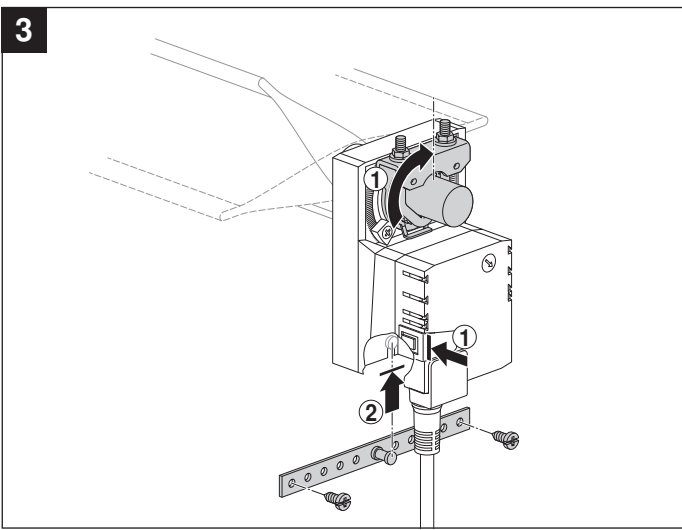
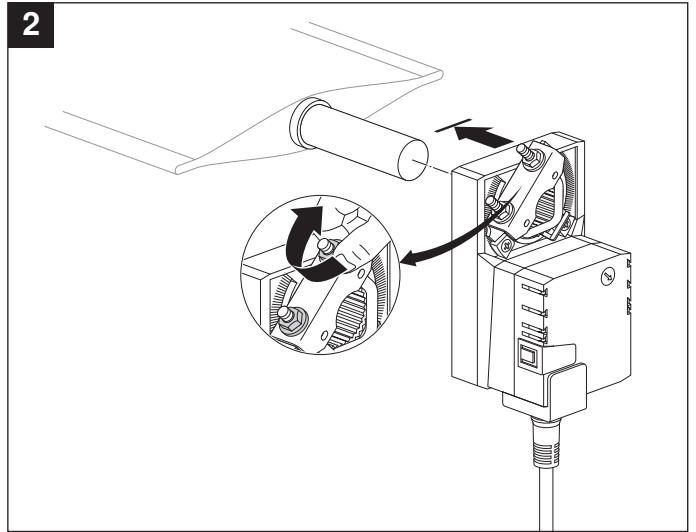
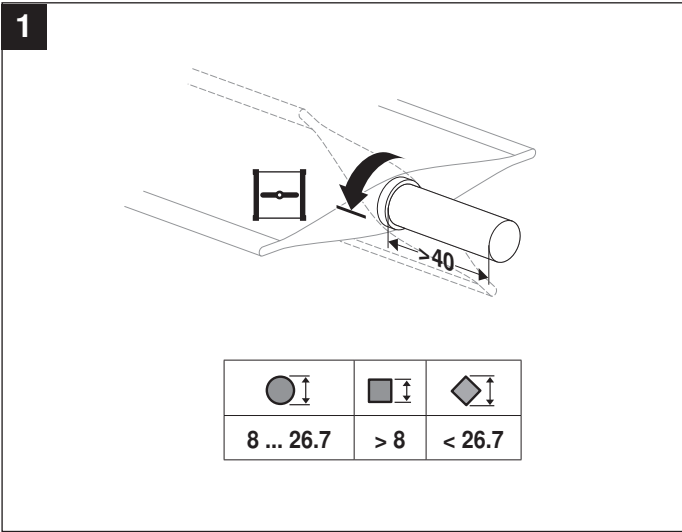
**Dimensions [mm]**

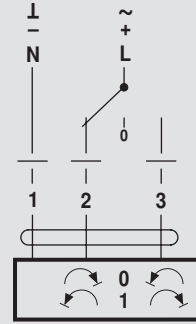
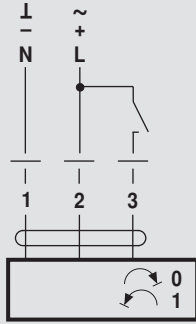
**Dimensional drawings**



Damper spindle	Length	
Clamp on top	min. 40	8 ... 26.7
Clamp on bottom *	min. 20	8 ... 20

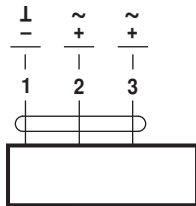
\* Option (Accessory K-NA)



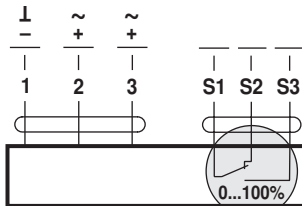


AC 24 V / DC 24 V

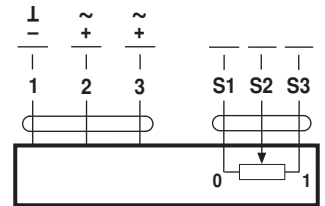
DC 48 ... 110 V  
(NM72A..)



NM24A..  
NM72A..

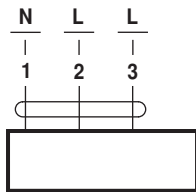


NM24A-S..

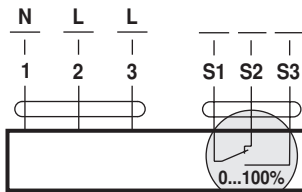


NM24AP5..

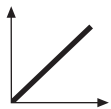
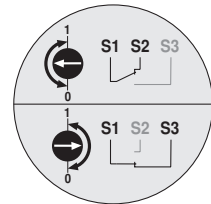
AC 100 ... 240 V



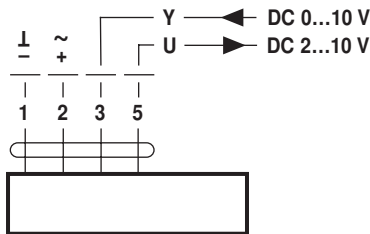
NM230A..



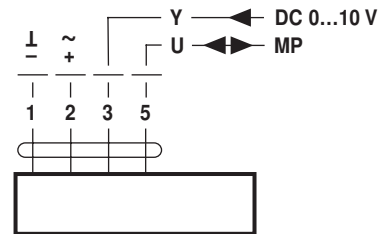
NM230A-S..



AC 24 V / DC 24 V

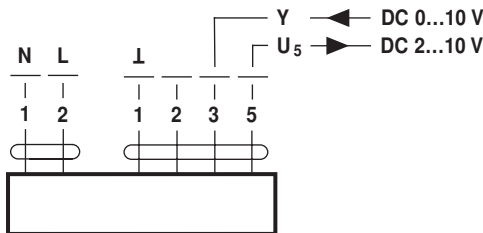


NM24A-SR..  
NM24A-MF..



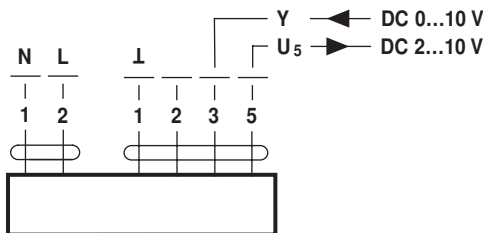
NM24A-MP..

DC 48 ... 110 V  
(NM72A-SR..)



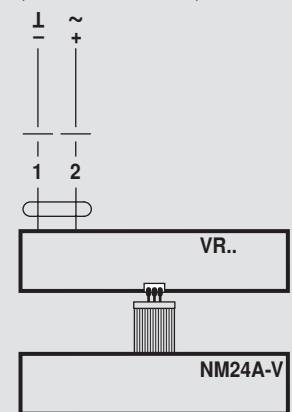
NM72A-SR..

AC 100 ... 240 V



NM230A-SR..

AC 24 V / DC 24 V  
(NM24A-V / VR..)



NM230A-V / VR..