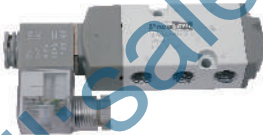


Pneu

■ Actuators ■ Positioners ■ Limit Switch



An ISO 9001-2015 company

Email: sales@cgtrading.in No: 6353355638

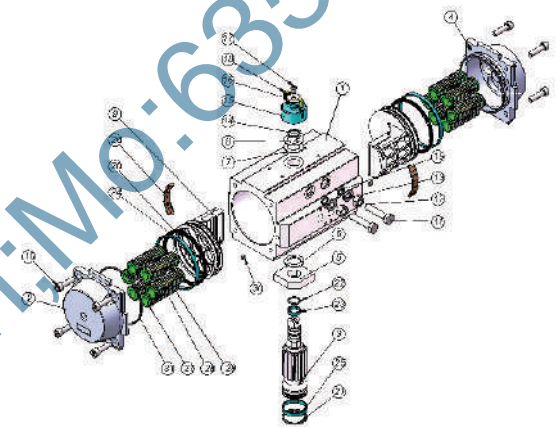
offers ISO 5211 pneumatic double acting / single acting actuator for 90 degree / 180 degree and 3 position actuator.

Features :

- Indicator : The Indicator confirms to the VID/VIE3845 Namur Standard, which is convenient for installing limit switch, positioner and other accessories.
- Output Shaft : The design of the one-body forging and pressing output shaft on nickel – plated alloy steel is in accordance with Namur, ISO 5211 and DIN 3337 standard.
- Cylinder Block : It is made of high quality aluminium alloy extrusion, the surface is coated with hard arodc oxidation and Teflon coating.
- End cover : Aluminium alloy die casting, surface with anodic hardening treatment and metal polyester coating.
- Piston : Cast Aluminium with hard oxidation
- Adjustment BOLT : Two independent adjustment bolt realize accurate adjustment within +5 of the angle of the valve opening and closing.
- Piston Ring : Use low friction and long life composite material, convenient repair and replace.
- Seal : Use nitrile rubber under normal temperature, special seal is available according to the customer's requirement of high temperature and low temperature.
- Air Conection : It complies with Namur Standard and can be directly mounted with NAMUR standard solenoid valve.



| | | | | | | | |
|----|-----------------------------|-----------------|---|----|--------------------------|-------------------|----|
| 1 | Body | Aluminium alloy | 1 | 17 | Cap screw | Stainless steel | 1 |
| 2 | Left End Cap | Aluminium alloy | 1 | 18 | Colour code | Nylon | 2 |
| 3 | Drive Shaft | Alloy Steel | 1 | 19 | "o" ring (stop screw) | NBR | 2 |
| 4 | Right end cap | Aluminium alloy | 1 | 20 | "o" ring (piston) | NBR | 2 |
| 5 | OCTI-CAM | Alloy Steel | 1 | 21 | "o" ring (pinion bottom) | NBR | 1 |
| 6 | Thrust bearing (pinion top) | POM+PTFE | 1 | 22 | "o" ring (pinion top) | NBR | 1 |
| 7 | Thrust bearing | POM+PTFE | 1 | 23 | Bearing (pinion top) | POM+PTFE | 1 |
| 8 | Thrust washer | Stainless steel | 1 | 24 | Bearing (pinion head) | POM+PTFE | 2 |
| 9 | Piston | Aluminium alloy | 2 | 25 | Bearing (pinion bottom) | POM+PTFE | 1 |
| 10 | Cap screw | Stainless steel | 8 | 26 | Wear band | Nylon | 2 |
| 11 | Stop top screw | Stainless Steel | 2 | 27 | Spring seat | Nylon | 24 |
| 12 | Nut (stop screw) | Stainless Steel | 2 | 28 | Spring seat | High-carbon steel | 12 |
| 13 | Washer (stop screw) | Stainless Steel | 2 | 29 | Straining beam | Copper pipe | 12 |
| 14 | Spring clip | Spring steel | 1 | 30 | Plug | NBR | 2 |
| 15 | Position indicator | Nylon | 1 | 31 | "o" ring (end cap) | NBR | 2 |
| 16 | Indicator thrust bearing | Stainless steel | 1 | | | | |



OUTPUT TORQUE
Double acting output torque (nm)

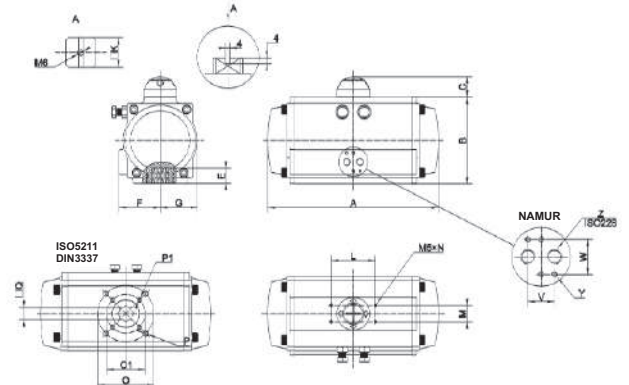
Single Action Output Torque (Spring Return) (Nm)

| Model | 2.0 Bar | 2.5 Bar | 3.0 Bar | 4.0 Bar | 4.5 Bar | 5.0 Bar | 5.5 Bar | 6.0 Bar | 7.0 Bar | 8.0 Bar |
|--------|---------|---------|---------|---------|---------|---------|---------|---------|---------|---------|
| PT052D | 8 | 10 | 12 | 16 | 18 | 20 | 22 | 24 | 28 | 32 |
| PT063D | 15 | 18 | 22 | 29 | 33 | 36 | 40 | 44 | 51 | 58 |
| PT075D | 20 | 25 | 30 | 40 | 45 | 50 | 55 | 60 | 70 | 80 |
| PT083D | 31 | 39 | 47 | 63 | 70 | 78 | 86 | 94 | 111 | 125 |
| PT092D | 45 | 56 | 68 | 90 | 102 | 113 | 124 | 135 | 158 | 181 |
| PT105D | 66 | 83 | 99 | 132 | 149 | 165 | 182 | 198 | 231 | 264 |
| PT125D | 100 | 125 | 150 | 200 | 226 | 252 | 278 | 304 | 351 | 401 |
| PT140D | 171 | 214 | 256 | 342 | 385 | 427 | 470 | 513 | 598 | 684 |
| PT160D | 266 | 332 | 399 | 532 | 598 | 665 | 731 | 798 | 931 | 1064 |
| PT190D | 420 | 532 | 638 | 851 | 958 | 1064 | 1170 | 1277 | 1490 | 1702 |
| PT210D | 532 | 665 | 798 | 1064 | 1197 | 1330 | 1463 | 1596 | 1862 | 2128 |
| PT240D | 769 | 962 | 1154 | 1539 | 1731 | 1924 | 2116 | 2308 | 2693 | 3078 |
| PT270D | 1170 | 1462 | 1750 | 2339 | 2632 | 2924 | 3216 | 3509 | 4094 | 4579 |
| PT300D | 1526 | 1908 | 2289 | 3052 | 3434 | 3815 | 4197 | 4578 | 5341 | 6104 |
| PT350D | 2285 | 2856 | 3427 | 4570 | 5141 | 5712 | 6283 | 6854 | 7997 | 9139 |
| PT400D | 3256 | 4070 | 4884 | 6512 | 7326 | 8140 | 8954 | 9768 | 11396 | 13024 |

| Actuator Model | Spring Quantity | Air Pressure Torque | | | | | | | | | | | |
|----------------|-----------------|---------------------|---------|----------|---------|----------|---------|----------|---------|----------|---------|----------------------|---------|
| | | 4 Bar | | 5.0 Bar | | 6.0 Bar | | 7.0 Bar | | 8.0 Bar | | Spring Return Torque | |
| | | 0° Start | 90° End | 0° Start | 90° End | 0° Start | 90° End | 0° Start | 90° End | 0° Start | 90° End | 0° Start | 90° End |
| PT052S | 10 | 7.4 | 3.6 | 11.5 | 6.7 | 15.5 | 11.6 | 19.5 | 15.6 | / | / | 12.4 | 8.5 |
| PT063S | 10 | 1.4 | 8.2 | 22.8 | 15.6 | 30 | 22.8 | 37.3 | 30.1 | 44.7 | 37.4 | 20.9 | 13.7 |
| PT075S | 10 | 19 | 11.1 | 28.8 | 21.2 | 39 | 31.2 | 49.1 | 41.2 | 59.1 | 51.2 | 29 | 21.1 |
| PT083S | 10 | 31 | 16.6 | 46.7 | 32.3 | 62.4 | 48 | 78.1 | 63.7 | 93.8 | 79.3 | 46 | 31.6 |
| PT092S | 10 | 43.6 | 21.5 | 66.2 | 44.1 | 88.8 | 66.7 | 111.3 | 89.2 | 134 | 11.8 | 68.7 | 46.7 |
| PT105S | 10 | 68.9 | 33.4 | 102 | 66.5 | 135.1 | 99.6 | 161.8 | 123.1 | 201.2 | 165.7 | 98.4 | 63.3 |
| PT125S | 10 | 96 | 44 | 146 | 94 | 196 | 144 | 247 | 194 | 297 | 245 | 157 | 105 |
| PT140S | 10 | 170 | 84 | 226 | 169 | 314 | 255 | 427 | 340 | 512 | 426 | 258 | 172 |
| PT160S | 10 | 253 | 115 | 386 | 248 | 519 | 381 | 652 | 514 | 785 | 647 | 417 | 279 |
| PT190S | 10 | 451 | 233 | 664 | 446 | 877 | 658 | 1090 | 871 | 1302 | 1084 | 618 | 400 |
| PT210S | 10 | 514 | 304 | 780 | 570 | 1046 | 836 | 1312 | 1102 | 1578 | 1368 | 760 | 550 |
| PT240S | 10 | 718 | 431 | 1103 | 816 | 1488 | 1201 | 1872 | 1586 | 2257 | 1970 | 1108 | 821 |
| PT270S | 10 | 1220 | 767 | 1805 | 1352 | 2390 | 1937 | 2974 | 2521 | 3560 | 3107 | 1572 | 1119 |
| PT300S | 10 | 1430 | 695 | 2355 | 1693 | 2956 | 2221 | 3719 | 2984 | 4482 | 3747 | 2122 | 1460 |
| PT350S | 10 | 1963 | 787 | 3105 | 1929 | 4247 | 3071 | 5390 | 4214 | 6532 | 5356 | 3405 | 2346 |
| PT400S | 10 | 3012 | 1025 | 4640 | 2653 | 6268 | 4281 | 7895 | 5908 | 9523 | 7536 | 4938 | 3149 |

Dimensions and Connection (mm)

| Model | PT052 | PT063 | PT075 | PT083 | PT092 | PT105 | PT125 | PT140 | PT160 | PT190 | PT210 | PT240 | PT270 | PT300 | PT350 | PT400 |
|------------|---------|---------|---------|---------|----------|----------|----------|----------|----------|----------|----------|----------|----------|----------|----------|----------|
| ISO Flange | F03/F05 | F06/F07 | F05/F07 | F05/F07 | F07/F10 | F07/F10 | F07/F10 | F10/F12 | F10/F12 | F14 | F14 | F16 | F16 | F15 | F16/F25 | F16/F25 |
| A | 154 | 176 | 188 | 211 | 244 | 277 | 310 | 394 | 458 | 523 | 526 | 602 | 718 | 760 | 920 | 940 |
| B | 73 | 89 | 101 | 110 | 118 | 135 | 157 | 175 | 198 | 232 | 257 | 289 | 326 | 350 | 410 | 466 |
| C | 25 | 25 | 25 | 25 | 25 | 25 | 39 | 39 | 39 | 39 | 39 | 30 | 30 | 30 | 30 | 30 |
| E | 13 | 17 | 17 | 20 | 20 | 25 | 27 | 30 | 30 | 38 | 38 | 50 | 50 | 50 | 50 | 50 |
| F | 41 | 47 | 53 | 57 | 60 | 64 | 75 | 75 | 86 | 103 | 113 | 130 | 147 | 174 | 195 | 260 |
| G | 30 | 36 | 43 | 47 | 50 | 58 | 67 | 75 | 86 | 103 | 113 | 130 | 147 | 162 | 190 | 260 |
| L | 80 | 80 | 80 | 80 | 80 | 80 | 130 | 130 | 130 | 130 | 130 | 130 | 130 | 130 | 130 | 130 |
| M | 30 | 30 | 30 | 30 | 30 | 30 | 30 | 30 | 30 | 30 | 30 | 30 | 30 | 30 | 30 | 30 |
| N | 4-M5x9 | 4-M5x9 | 4-M5x9 | 4-M5x9 | 4-M5x9 | 4-M5x9 | 4-M5x9 | 4-M5x9 | 4-M5x9 | 4-M5x9 | 4-M5x9 | 4-M5x9 | 4-M5x9 | 4-M5x9 | 4-M5x9 | 4-M5x9 |
| O | 50 | 70 | 70 | 70 | 102 | 102 | 102 | 125 | 125 | 140 | 140 | 165 | 165 | 165 | 254 | 254 |
| P | 4-M6x9 | 4-M8x12 | 4-M8x12 | 4-M8x12 | 4-M10x15 | 4-M10x15 | 4-M10x15 | 4-M12x18 | 4-M12x18 | 4-M16x24 | 4-M16x24 | 4-M20x25 | 4-M20x25 | 4-M20x25 | 4-M16x25 | 4-M20x25 |
| O1 | 36 | 50 | 50 | 50 | 70 | 70 | 70 | 102 | 102 | — | — | — | — | — | 165 | 165 |
| P1 | 4-M5x8 | 4-M6x9 | 4-M6x9 | 4-M6x9 | 4-M8x12 | 4-M8x12 | 4-M8x12 | 4-M8x15 | — | — | — | — | — | — | 4-M20x25 | 4-M20x25 |
| Q | 11 | 14 | 14 | 17 | 17 | 22 | 22 | 27 | 27 | 36 | 36 | 46 | 46 | 46 | 46 | 46 |
| V | 24 | 24 | 24 | 24 | 24 | 24 | 24 | 24 | 24 | 24 | 24 | 24 | 40 | 40 | 40 | 40 |
| W | 36 | 36 | 36 | 36 | 36 | 36 | 36 | 36 | 36 | 36 | 36 | 36 | 45 | 45 | 45 | 45 |
| Y | 4-M5x9 | 4-M5x9 | 4-M5x9 | 4-M5x9 | 4-M5x9 | 4-M5x9 | 4-M5x9 | 4-M5x9 | 4-M5x9 | 4-M5x9 | 4-M5x9 | 4-M6x10 | 4-M6x10 | 4-M6x10 | 4-M6x10 | 4-M6x10 |
| Z | G1/4" | G1/4" | G1/4" | G1/4" | G1/4" | G1/4" | G1/4" | G1/4" | G1/4" | G1/4" | G1/4" | G1/4" | G1/2" | G1/2" | G1/2" | G1/2" |



Electrical Actuators

Pneu

PRODUCT DETAILS

PTL Series are compact, intelligent quarter turn electric actuators for the accurate control of valves with torques up to 2000 N.m. PTL is designed for on/off or modulating control of butterfly, ball, rotary plug valves or dampers in a wide range of heavy industrial, chemical and petrochemical plants, water treatment plants, on and offshore. It can be driven by 380V/110V AC power or 24V/110V DC power, inputs 4-20 mA current signal or 0-10V DC voltage signal as control signal. (CE certificate approved).



On / Off Actuator



Modulating Electric Actuator



Integral Starter

| | |
|--------------------------------|--|
| Actuator Cover | Aluminium alloy, waterproof level: IP67, or NEMA 4/6 |
| Power supply | 110/220V AC, 1 Phase; 380/440V AC, 3 Phase; 50/60 HZ, ±10% |
| Power supply of Control | 110/220V AC, 1 Phase; 50/60HZ, ±10% |
| Motor | Squirrel-cage Asynchronous Motor |
| Limit Switch | 2* on/off, SPDT, 250V AC, 10A |
| Auxiliary Limit Switch | 2* on/off, SPDT, 250V AC, 10A |
| Stroke | 90° ± 10° Option: 0°-270° |
| Failure Protection Temperature | Internal thermal protection; On: 120°C + 5°C, off: 97°C ± 15°C |
| Indicator | Continuous position Indicate |
| Manual Operation | Mechanical handle (option: handwheel) |
| Self-lock Device | Self-lock by worm and worm gear |
| Mechanical Limit | External adjusting bolts (2 pieces) |
| Heater and Thermostat | 7-10W (110/220V AC), Anti-condensation |
| Connecting hole | M18 (2pieces) |
| Ambient Temperature | -20°C ~+70°C |
| Lubrication | Aluminum-base grease (EP, type) |
| Material | Steel, Aluminum alloy, Aluminum bronze, Poly carbonate |
| Ambient Humidity | Max 90% RH |
| Anti-vibration | X Y Z 10g, 0.2-34HZ, 30 minutes |
| External Coating | Dry powder, Epoxy polyester |

TECHNICAL DATA

| Model | Max output torque | Operating time to 90°C | | | Motor (W) | | Single-phase rated current (A) | | | | | Weight Kg |
|---------|-------------------|------------------------|----|-----|-----------|-----|--------------------------------|-------|--------|--------|-------|-----------|
| | | AC | DC | / | AC | DC | AC110V | AC24V | AC220V | AC380V | DC24V | |
| PTL-003 | 30 | 30 | / | 8 | / | / | / | 0.2 | / | / | / | 2.1 |
| PTL-005 | 50 | 30 | 10 | 10 | 15 | 2.2 | 0.48 | 0.24 | 0.15 | 1.2 | 0.15 | 3.4 |
| PTL-010 | 100 | 30 | 10 | 16 | 25 | 3 | 0.64 | 0.32 | 0.25 | 1.6 | 0.2 | 4.6 |
| PTL-015 | 150 | 30 | 10 | 23 | 25 | 3.8 | 0.68 | 0.35 | 0.25 | 1.6 | 0.2 | 4.6 |
| PTL-020 | 200 | 30 | 15 | 40 | 40 | 5 | 0.9 | 0.48 | 0.25 | 2.6 | 0.3 | 11 |
| PTL-040 | 400 | 30 | 15 | 60 | 60 | 5 | 0.9 | 0.48 | 0.25 | 2.6 | 0.3 | 11.8 |
| PTL-060 | 600 | 30 | 15 | 90 | 70 | 8.5 | 2 | 0.92 | 0.45 | 4.5 | 0.5 | 12 |
| PTL-100 | 1000 | 40 | 25 | 130 | 100 | 9 | 2.2 | 1 | 0.48 | 5.0 | 0.6 | 12.5 |
| PTL-200 | 2000 | 40 | 25 | 160 | 100 | 9.8 | 2.6 | 1.1 | 0.51 | 5.0 | 0.6 | 12.5 |

OHQ Series are explosion-proof, intelligent quarter turn electric actuators for the accurate control of valves with torques upto 2000 N.m. OHQ explosion-proof is designed for on/off or modulating control of butterfly, ball, rotary plug valves or dampers in a wide range of heavy industrial, chemical and petrochemical plants, on and offshore. It can be driven by 380V/220V/110V AC power or 24V/110V DC power, inputs 4-20mA current signal or 0-10V DC voltage signal as control signal (CE and EX certificates approved).



On / Off type



Modulating type



Intelligent control type

TECHNICAL DATA

| Model | Max output torque | On-Off time 60/50HZ | MAX bore size | F-class Motor | Rated Current (A) 50HZ | | | | Handwheel Turn | Weight Kg |
|---------|-------------------|---------------------|---------------|---------------|------------------------|-----------|-------------|-----------|----------------|-----------|
| | | | | | Single Phase | | Three Phase | | | |
| | | | | | 110V | 220V | 380V | 440V | | |
| OHQ-005 | 50 | 18/22 | Φ20 | 20 | 1.10/0.95 | 0.55/0.54 | 0.3/0.3 | N/A | 10 | 7.5 |
| OHQ-010 | 100 | 18/22 | Φ20 | 20 | 1.10/0.95 | 0.55/0.54 | 0.3/0.3 | N/A | 10 | 7.5 |
| OHQ-015 | 150 | 21/25 | Φ22 | 40 | 1.67/1.67 | 0.89/0.85 | 0.31/0.31 | 0.30/0.31 | 11 | 17.3 |
| OHQ-020 | 200 | 21/25 | Φ22 | 40 | 1.67/1.67 | 0.89/0.85 | 0.31/0.31 | 0.30/0.31 | 11 | 17.3 |
| OHQ-040 | 400 | 26/31 | Φ35 | 90 | 1.85/1.86 | 0.92/0.92 | 0.35/0.35 | 0.34/0.34 | 13.5 | 22 |
| OHQ-060 | 600 | 26/31 | Φ35 | 120 | 3.65/3.62 | 1.60/2.20 | 0.60/0.59 | 0.59/0.58 | 13.5 | 23 |
| OHQ-080 | 800 | 31/37 | Φ45 | 180 | 4.10/4.10 | 2.15/2.20 | 0.85/0.85 | 0.79/0.79 | 16.5 | 29 |
| OHQ-120 | 1200 | 31/37 | Φ45 | 180 | 4.20/4.10 | 2.35/2.30 | 0.87/0.87 | 0.81/0.81 | 16.5 | 29 |
| OHQ-200 | 2000 | 93/112 | Φ65 | 180 | 4.10/4.10 | 2.15/2.20 | 0.85/0.85 | 0.79/0.79 | 49.5 | 75 |



Multi turn Linear Actuator for Gate Valve, Globe Valve, Knife edge Gate Valve

| | | |
|--------------------------------|--|------------------------|
| Actuator Cover | Waterproof level IP67/68 or NE/MA 4/6 | |
| Motor | Squirrel-cage Asynchronous Motor | |
| Limit Switch | 1 * on/off, SPDT, 250VAC 10A | |
| Auxiliary Switch Set | 1 * on/off, SPDT, 250VAC 10A | |
| Torque Switch | 1 * on/off, SPDT, 250VAC 10A | Except OHQ-005/OHQ-010 |
| Stroke | 90° ± 10° | Option 0°- 270° |
| Failure Protection Temperature | Internal thermal protection; On 115°C ± 5°C, off: 97°C ± 5°C | |
| Indicator | Continuous position indicator | |
| Manual Operate | Mechanical clutch, operate with handwheel | |
| Self-lock Device | Self-lock by worm and worm gear | |
| Mechanical Stops | External adjusting bolts (2 piece) | |
| Heat and Thermostat | 7-10W (110/220V AC) | |
| Connecting hole | PF 3/4" (2 pieces) | |
| Ambient Temperature | -20°C ~+70°C | |
| Lubrication | Aluminum-base grease (EP type) | |
| Material | Steel, Aluminum alloy, Aluminum bronze, Polycarbonate | |
| Ambient Humidity | Max 90% RH | |
| Anti-vibration | X Y Z 10g, 0.2-34HZ, 30 minutes | |
| External Coating | Dry powder, Epoxy polyester, high anti-corrosion | |

YT-1000 Electro-Pneumatic Valve Positioner

Pneu

GENERAL

The YT-1000 Series Positioner, mounted on a pneumatic actuator, moves the actuator by receiving DC 4~20mA signals from a controller, Also the function of detecting and returning the actuator displacement provides accurate positioning in response to DC 4~20mA signals.

The YT-1000 Series Electro-pneumatic positioner can be used with both spring return and double acting actuators.



YT-1000R+PTM

FEATURES

- High anti-vibration (non effective in 5~200Hz)
- The linking of air duct is perforated form, convenient for the linking in all direction.
- Convenient for the transform of positive action and counteraction.
- 1/2split range available by simple adjustments without changing parts.
- Simple structure for feedback connection.
- Economical energy saving.

TECHNICAL DATA

| Description | Model | YT-1000L | | YT-1000R | |
|---------------------|-------|--|--------|--------------|--------|
| | | Linear | | Rotary | |
| | | Single | Double | Single | Double |
| Input signal | | 4~20mA DC | | | |
| Impedance | | 250 ± 15Ω | | | |
| Supply pressure | | 1.4~77kgf/cm ² (20~100psi) | | | |
| Stroke | | 10~150 mm | | 0~90° | |
| Air connection | | PT (NPT)1/4 | | | |
| Gauge connection | | PT (NPT)1/8 | | | |
| Conduit | | PF1/2 (G1/2) | | | |
| Explosion proof | | Exdm II B(C)T6 Exia II BT6 | | | |
| Protection | | IP66 | | | |
| Ambient temperature | | -20°C~70°C(-4~158°F) | | | |
| Linearity | | ±1%F.S. ±2%F.S. | | | |
| Hysteresis | | ±1%F.S. | | | |
| Sensitivity | | ±0.2%F.S. ±0.5%F.S. | | | |
| Repeatability | | ±0.5% | | | |
| Air consumption | | 3LPM (Sup=1.4kgf/cm ² , 20psi) | | | |
| Flow capacity | | 80LPM (Sup=1.4kgf/cm ² , 20psi) | | | |
| Material | | Aluminum alloy | | | |
| Weight | | 2.7kg (6lb) | | 2.8kg(6.2lb) | |



L8A+PTM



L8A NEW



L8A NEW+PTM

ORDERING SYMBOLS

YT-1000

| YT-1000 | Actuator | Acting type | Explosion proof | Lever type | | Pilot valve vent Actuator volume | Option |
|---------|----------|-------------|-----------------|-------------|----------|----------------------------------|---------------------|
| | | | | Linear | Rotary | | |
| | L Linear | S Single | M Exdm II BT6 | ① 10~40mm | ① M6x40L | ① < 90cm ² | (0)None |
| | R Rotary | D Double | C Exdm II CT6 | ② 40~70mm | ② M6x63L | ② 90~180cm ² | ①+PTM(Internal) |
| | | | I Exia II BT6 | ③ 70~100mm | ③ M8x40L | ③ > 180cm ² | ②+PTM(External) |
| | | | N Non-Explosion | ④ 100~130mm | ④ M8x63L | | ③+L/S(Internal) |
| | | | | ⑤ 130~150mm | ⑤ NAMUR | | ④NAMUR |
| | | | | | | | ⑤+PTM+L/S(Internal) |



Compact Electro Pneumatic Valve Positioner



Linear Electro Pneumatic Valve Positioner



Smart Positioner

Valve Position Monitor APL-2, 3, 4, 5N Series

Pneu

FEATURES

- Solid and flexible design
Aluminum die-casting housing and powder coating.
- Bolts on visual position indicator
- Quick-view
Spring loaded splined cam.
No need to adjust again after initial setting.
Easy setting without tool
- Dual cable entries
- Captive cover bolts
No worry to loose bolts while cover open.
Spring loaded cover bolts (APL-5N)
- Easy mounting bracket
NAMUR standard stainless steel shaft and bracket.



APL-2N



APL-3N



APL-4N



ITS-100

STANDARD SPECIFICATION

| Model | APL-2N Series | APL-3N Series | APL-4N Series | ITS-100 |
|---------------------|--|--|--|--|
| Enclosure | Weatherproof IP67/NEMA4 & 4X | Weatherproof IP67/NEMA4 & 4X | Weatherproof IP67/NEMA4 & 4X Explosionproof E EX d IIB T6 | Weatherproof IP67/NEMA4 & 4X Explosionproof E EX d IIC T6 |
| Cable entries | Two NPT 1/2" | Two NPT 1/2" | Two NPT 3/4" | Two NPT 3/4" |
| Ambient temperature | -20°e 80 °C | -20°e 80 °C | -20°e 80 °C | -20°e 80 °C |
| Terminal strips | 8 points (0.08-2.5mm ²) | 8 points (0.08-2.5mm ²) | 8 points (0.08-2.5mm ²) | 8 points (0.08-2.5mm ²) |
| Position indicator | 0 ~ 90 (90 turn free join) closed : red open : yellow | 0 ~ 90 (90 turn free join) closed : red open : yellow | 0 ~ 90 (90 turn free join) closed : red open : yellow | 0 ~ 90 (90 turn free join) closed : red open : yellow |
| Switches | Mechanical switch x2 proximity sensor x2 | Mechanical switch x2 proximity sensor x2 | Mechanical switch x2 proximity sensor x2 | proximity sensor x2 |
| Painting | Chromate Polyester powder coating (black) | Chromate Polyester powder coating (black) | Chromate Polyester powder coating (black) | Chromate Polyester powder coating (black) |

OPTION SPECIFICATION

| Model | APL-2N Series | APL-3N Series | APL-4N Series | ITS-100 |
|----------------------------|--|--|--|---|
| Enclosure | Weatherproof IP68 | Weatherproof IP68 | Weatherproof IP68 | Weatherproof IP68 Explosionproof E EX d IIB T6 Explosionproof E EX d IIC T6 |
| Cable entries | Two PF1/2, PT1/2 M20, PG 13.5 | Two PF1/2, PT1/2 M20, PG 13.5 | FOUR PF3/4, PT 3/4 | Two NPT 3/4 PT 3/4 |
| Option temperature | — | -40°e 80 °C -20°e 150 °C | — | — |
| Terminal strips | — | 16 points (0.08-2.5mm ²) | 20 points (0.08-2.5mm ²) | — |
| Position indicator | three position closed : red open : green | three position closed : red open : green | three position closed : red open : green | three position closed : red open : green |
| Switches | — | Mechanical switch x4 proximity sensor x4 | Mechanical switch x4 proximity sensor x4 | proximity sensor x2 |
| Painting | Chromate Polyester powder coating (black) | Chromate Polyester powder coating (black) | Chromate Polyester powder coating (black) | Chromate Polyester powder coating (black) |
| Potentiometer | — | 1k ohm. standard 5k ohm. 0-10k ohm | 1k ohm. standard 5k ohm. 0-10k ohm | 1k ohm. standard 5k ohm. 0-10k ohm |
| Current output Single unit | — | 4~20mA DC 12.5 to 37VDC (24V typical) | 4~20mA DC 12.5 to 37VDC (24V typical) | 4~20mA DC 12.5 to 37VDC (24V typical) |
| Painting | Nylon others on request red, green, blue, yellow, silver | Nylon others on request red, green, blue, yellow, silver | Nylon others on request red, green, blue, yellow, silver | Nylon others on request red, green, blue, yellow, silver |

Pneumatic / Electric actuator operated ball valve **Pneu**

MATERIALS

| PART NAME | MATERIAL OPTION |
|--------------------|-------------------------------|
| Body | WCB / CF8 / CF8M / CF3M |
| End Connector | WCB / CF8 / CF8M / CF3M |
| Ball | CF8 / CF8M / CF3M |
| Ball Seat | PTFE / GFT |
| Stem Pin | AISI S.S. 304 / S.S. 316 |
| Gland with Bush | S.S. 304 |
| Body Seat | PTFE / CFT / GFT / PEEK / TFM |
| Stem Seat | PTFE / CFT / GFT / PEEK / TFM |
| Nut | M.S. / S.S. |
| Stud | M.S. / S.S. |
| Washer | M.S. / S.S. |
| Gland Fitting Bolt | S.S. |
| Actuator | STD |

TECHNICAL STANDARDS

- Manufacturing Standard : BS 5351
- Face to Face : ANSI B16.10
- End Connection : Flanged Ends to ANSI B16.5 RF 150#
- Inspection And Testing Standard : BS 6755
- Fire Safe Design as per BS 6755 / API 607

KEY FEATURES

- Compact and simple construction provides ease in maintenance without disturbing insulations and piping.
- Easy Operation even under high pressure.
- Full circular passages.
- Easily replaceable PTFE seats & packing.
- Prolonged successful operation even under high pressure.

TEST PRESSURE 150# / 300#

| TESTING | CLASS | BODY | SEAT |
|-----------|-------|-----------|----------|
| Hydraulic | 150 # | 425 psig | 300 psig |
| Pneumatic | 150 # | ----- | 100 psig |
| Hydraulic | 300 # | 1100 psig | 800 psig |
| Pneumatic | 300 # | ----- | 100 psig |

OPTIONAL ACCESSORY

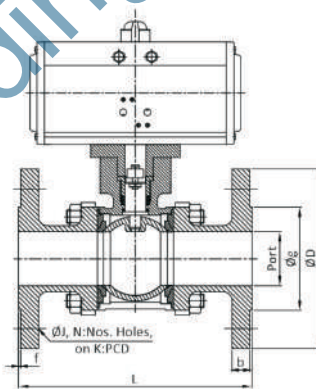
- On / Off Indicator
- Namur standard 5/2 & 3/2 way Solenoid Valve in all standard coil voltage (Flame proof solenoid coil on request)
- Pneumatic & Electro Pneumatic valve positioner.
- Decutchable manual over ride.
- Limit switch for on / off indication at panel board.
- FRL Set with pressure gauge.
- Volume Booster
- Air Lock Valve.
- Quick Exhaust Valve.

PTL MODEL ELECTRIC ACTUATOR

- Type : On / Off type
- Voltage : 24v, 36v, 110v, 220v, 380v, 415v
- Protection : IP 67
- L N Key type manual over ride.
- In Built Position monitor

Options available.

- Hand wheel type manual over ride
- Modulating type with LCD
- Intelligent control for remote/local operation
- Explosion Proof - OHQ series.



DIMENSIONS

(All dimensions are in mm)

| MODEL | Valve Size (MM) | Screwed L | Flanged 150# | | | | | | | | |
|------------|-----------------|-----------|--------------|------|---|------|-------|-----|-------|---|-------|
| | | | L1 | ØT | f | Port | ØR | ØF | ØJ | N | K:PCD |
| PTBV - 15 | 15 | 64 | 108 | 8 | 2 | 13 | 34.9 | 90 | 15.9 | 4 | 60.3 |
| PTBV - 20 | 20 | 70 | 117 | 8.9 | 2 | 19 | 42.9 | 100 | 15.9 | 4 | 69.9 |
| PTBV - 25 | 25 | 88 | 127 | 9.6 | 2 | 25 | 50.8 | 110 | 15.9 | 4 | 79.4 |
| PTBV - 32 | 32 | 105 | 140 | 11.2 | 2 | 32 | 63.5 | 115 | 15.9 | 4 | 88.9 |
| PTBV - 40 | 40 | 114 | 165 | 12.7 | 2 | 38 | 73 | 125 | 15.9 | 4 | 98.4 |
| PTBV - 50 | 50 | 130 | 178 | 14.3 | 2 | 49 | 92.1 | 150 | 19.05 | 4 | 120.7 |
| PTBV - 65 | 65 | 170 | 190 | 15.9 | 2 | 62 | 104.8 | 180 | 19.05 | 4 | 139.7 |
| PTBV - 80 | 80 | 200 | 203 | 17.5 | 2 | 74 | 127 | 190 | 19.05 | 4 | 152.4 |
| PTBV - 100 | 100 | 210 | 229 | 22.3 | 2 | 100 | 157.2 | 230 | 19.05 | 8 | 190.5 |
| PTBV - 125 | 125 | - | 254 | 22.3 | 2 | 125 | 185.7 | 255 | 22.2 | 8 | 215.9 |
| PTBV - 150 | 150 | - | 267 | 23.9 | 2 | 150 | 215.9 | 280 | 22.2 | 8 | 241.3 |
| PTBV - 200 | 200 | - | 292 | 27 | 2 | 201 | 269.9 | 345 | 22.2 | 8 | 298.5 |

DIMENSIONS

(All dimensions are in mm)

| MODEL | Valve Size (MM) | Flanged 300# | | | | | | | | |
|------------|-----------------|--------------|------|---|------|-------|-----|-------|----|-------|
| | | L1 | ØT | f | Port | ØR | ØF | ØJ | N | K:PCD |
| PTBV - 15 | 15 | 140 | 12.7 | 2 | 13 | 34.9 | 95 | 15.9 | 4 | 66.7 |
| PTBV - 20 | 20 | 152 | 14.3 | 2 | 19 | 42.9 | 115 | 19.05 | 4 | 82.6 |
| PTBV - 25 | 25 | 165 | 15.9 | 2 | 25 | 50.8 | 125 | 19.05 | 4 | 88.9 |
| PTBV - 32 | 32 | 178 | 17.5 | 2 | 32 | 63.5 | 135 | 19.05 | 4 | 98.4 |
| PTBV - 40 | 40 | 190 | 19.1 | 2 | 38 | 73 | 155 | 22.2 | 4 | 114.3 |
| PTBV - 50 | 50 | 216 | 20.7 | 2 | 49 | 92.1 | 165 | 19.05 | 8 | 127 |
| PTBV - 65 | 65 | 241 | 23.9 | 2 | 62 | 104.8 | 190 | 22.2 | 8 | 149.2 |
| PTBV - 80 | 80 | 282 | 27 | 2 | 74 | 127 | 210 | 22.2 | 8 | 168.3 |
| PTBV - 100 | 100 | 305 | 30.2 | 2 | 100 | 157.2 | 255 | 22.2 | 8 | 200 |
| PTBV - 125 | 125 | 381 | 33.4 | 2 | 125 | 185.7 | 280 | 22.2 | 8 | 235 |
| PTBV - 150 | 150 | 403 | 35 | 2 | 150 | 215.9 | 320 | 22.2 | 12 | 269.9 |

Pneumatic / Electric actuator operated polypropylene ball valve **Pneu**

MATERIALS

| PART NAME | MATERIAL OPTION |
|---------------|-----------------|
| Body | Polypropylene |
| End Connector | Polypropylene |
| Ball | Polypropylene |
| Ball Seat | PTFE |
| Stem Pin | S.S. 304 |
| Body Seat | PTFE |
| Adapter | S.S. 304 |
| Stem 'O' Ring | NBR |
| Clamp | S.S. 304 |
| Bolt | S.S. 304 |
| Washer | S.S. 304 |
| Temperature | 110°C |
| Actuator | STD |

ACCESSORIES

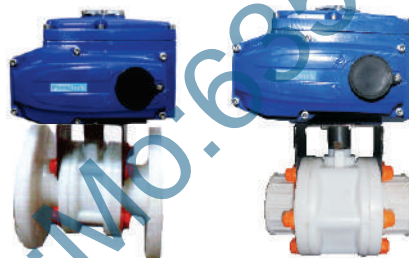
- On / Off Indicator
- Namur standard 5/2 & 3/2 way SOV in all standard coil voltage
- (Flame proof solenoid coil on request)
- Pneumatic & Electro Pneumatic valve positioner.
- Declutchable manual over ride.
- Limit switch for on / off indication at panel board.
- FRL Set with pressure gauge.
- Volume Booster
- Air Lock Valve
- Quick Exhaust Valve

KEY FEATURES

- Light Weight
- Low Cost
- Robust Design
- Corrosion resistant

TEST PRESSURE

| TESTING | BODY | SEAT |
|-----------|---------|---------|
| Hydraulic | 200 PSI | 150 PSI |
| Pneumatic | | 60 PSI |

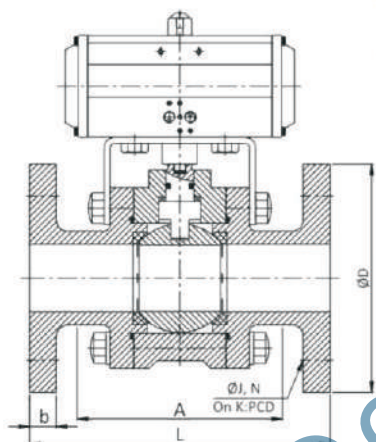


PTL MODEL ELECTRIC ACTUATOR

- Type : On / Off type
- Voltage : 24v, 36v, 110v, 220v, 380v, 415v
- Protection : IP 67
- L N Key type manual over ride.
- In Built Position monitor

Options available.

- Hand wheel type manual over ride
- Modulating type with LCD
- Intelligent control for remote/local operation
- Explosion Proof - OHQ series.



DIMENSIONS

(All dimensions are in mm)

| MODEL | Size | Screwed | L | b | ØD | Øj | N | K-PCD |
|-----------|------|---------|-----|------|-----|-------|---|-------|
| PPB - 15 | 15 | 127 | 130 | 16.5 | 96 | 15.9 | 4 | 60.3 |
| PPB - 20 | 20 | 139 | 132 | 14.5 | 102 | 15.9 | 4 | 69.9 |
| PPB - 25 | 25 | 150 | 152 | 18.5 | 121 | 15.9 | 4 | 79.4 |
| PPB - 40 | 40 | 172 | 170 | 18.5 | 140 | 15.9 | 4 | 98.4 |
| PPB - 50 | 50 | 209 | 209 | 22.5 | 165 | 19.05 | 4 | 120.7 |
| PPB - 65 | 65 | 248 | 230 | 22.5 | 184 | 19.05 | 4 | 139.7 |
| PPB - 80 | 80 | 250 | 254 | 24 | 203 | 19.05 | 4 | 152.4 |
| PPB - 100 | 100 | --- | 310 | 27 | 229 | 19.05 | 8 | 190.5 |
| PPB - 150 | 150 | --- | 477 | 28 | 305 | 22.5 | 8 | 241.3 |

Pneumatic / Electric actuator operated 3 way ball valve screwed / flanged end

MATERIALS

| PART NAME | MATERIAL OPTION |
|----------------|--------------------------------|
| Body | S.S 304 / S.S. 316 |
| Ball | S.S. 304 / S.S. 316 |
| Ball Seat | PTFE |
| Stem Pin | S.S. 304 |
| Body Seat | PTFE |
| Mounting Pad : | ISO 5211 |
| Adapter | S.S. 304 |
| Stem 'O' Ring | Ptfe |
| Temperature | 20°C to 85°C |
| End Connection | screwed / flanged / Tri Clover |
| Ports | L Port / T port |
| Size (Screwed) | 15 mm to 50 mm |
| Size (Flanged) | 15 mm to 150 mm |



Pneumatic / Electric actuator operated butterfly valve

Pneu

TECHNICAL STANDARDS

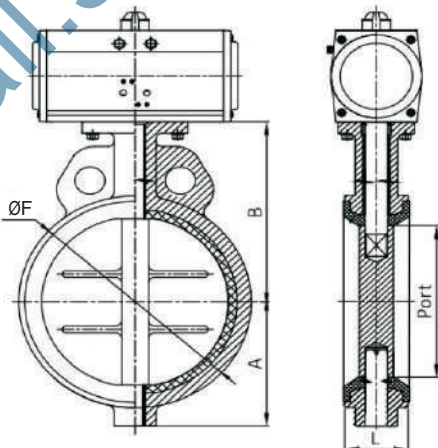
Manufacturing Standard : API 609 Category A/BS 5155 / C-504
 Face to Face : Short wafer as per ISO 5752 / API 609 Category A
 Top Flange Drilling : ISO 5211 Part II
 Inspection and Testing Standard : API 598 / BS 6755
 Flange standard conformity : ANSI 150, DIN Pn6 / 10, JIS 5K / 10K Bs10 Tab D & E, IS 6392 PN1.0/1.6

KEY FEATURES

- Integrally moulded seat liner on the body, which ensures excellent dimensional stability & guaranteed seat tightness.
- Seat liner extending on to the contact faces ensures perfect sealing and eliminates the need to separate flange gaskets.
- Narrow land disc ensures perfect sealing with least operating torque requirements.
- A fully universal body design ensures fitting of the valve between companion flanges of all popular standards (viz, ANSI, BS, DIN, JIS, IS etc.)
- The notch disc and band lever ensures locking of the valve in 8 intermediate position in addition to close and open position.
- Body casting made of superior FG 260 grade cast iron in to ensure additional strength.
- Valve disc made of stainless steel / ductile cast iron which enable protection against possible water hammer or pressure surges.
- A truly line size body bone to ensure maximum flow capacity with lowest pressure drop.

MATERIALS

| PART NAME | MATERIAL OPTION |
|-------------------|--|
| Design | Centric Disc Design Butterfly Valves |
| Body | CI (IS 210, Gr.FG 200/200) / ASTM A 216 WCB / ASTM A 351 CF8 / ASTM A 351 CF8M |
| Disc | CF 8 / CF8M / SGI |
| Seat | Nitrile / EPDM / Silicon |
| Shaft | AISI 410 |
| Valve Type | Centric Disc Butterfly Valve with a single pcs rubber lined body. |
| Body Type | Short wafer (Sandwich between flanges) |
| Seat Type | Integral Moulded with the body |
| End Connection | Wafer Sandwiched |
| Pressure Rating | PN 10 / PN 16 |
| Oper. Temp. Range | -25°C to 120°C (Depending on Seat) |
| Seat leakage | Tight shut off |



ACCESSORIES

- On / Off Indicator
- Namur standard 5/2 & 3/2 way SOV in all standard coil voltage (Flame proof solenoid coil on request)
- Pneumatic & Electro Pneumatic valve positioner
- Declutchable manual over ride.
- Limit switch for on / off indication at panel board
- FRL Set with pressure gauge.
- Volume Booster
- Air Lock Valve
- Quick Exhaust Valve

PTL MODEL ELECTRIC ACTUATOR

- Type : On / Off type
- Voltage : 24v, 36v, 110v, 220v, 380v, 415v
- Protection : IP 67
- L N Key type manual over ride.
- In Built Position monitor

Options available.

- Hand wheel type manual over ride
- Modulating type with LCD
- Intelligent control for remote/local operation
- Explosion Proof - OHQ series.



DIMENSIONS (All dimensions are in mm)

| MODEL | Size (MM) | A | B | L | ØF | Port |
|-------------|-----------|-------|-------|-----|-----|------|
| PTBFV - 40 | 40 | 61 | 106 | 34 | 80 | 40 |
| PTBFV - 50 | 50 | 65 | 121 | 44 | 95 | 50 |
| PTBFV - 65 | 65 | 71 | 124 | 46 | 108 | 65 |
| PTBFV - 80 | 80 | 80 | 130 | 46 | 124 | 80 |
| PTBFV - 100 | 100 | 98.5 | 146.5 | 52 | 150 | 100 |
| PTBFV - 125 | 125 | 112.5 | 162 | 56 | 186 | 125 |
| PTBFV - 150 | 150 | 125 | 177 | 56 | 205 | 150 |
| PTBFV - 200 | 200 | 152.5 | 202 | 60 | 258 | 200 |
| PTBFV - 250 | 250 | 193 | 262 | 68 | 316 | 241 |
| PTBFV - 300 | 300 | 218 | 287 | 78 | 365 | 286 |
| PTBFV - 350 | 350 | 255 | 332 | 78 | 435 | 333 |
| PTBFV - 400 | 400 | 310 | 363 | 102 | 488 | 382 |
| PTBFV - 450 | 450 | 340 | 388 | 114 | 540 | 433 |
| LECTO - 500 | 500 | 370 | 425 | 127 | 600 | 476 |
| LECTO - 600 | 600 | 449 | 495 | 154 | 695 | 590 |

Pneumatic / Electric actuator operated OFFSET disc Butterfly Valve **Pneu**

TECHNICAL STANDARDS

- Manufacturing Standard : Series 5150 (40NB to 600 NB) API 609 CATEGORY B
- Face to Face : API 609 Category B
- End Connection : ANSI B 16.5 # 150
- Inspection And Testing Standard : API 5985 / ANSI FCI 70-2
- Fire Safe Design : API 607
- Pressure Rating : ASME / ANSI B 16.34

KEY FEATURES

- Sleek size & space.
- Reduced Torque
- Low Weight
- Easy to maintain
- Can be used for vast range of operation.

APPLICATION

- Hygienic Powder & Slurries specially in Pharmaceutical Industries
- Chemical And Dyeing Fluids in Textile Processing
- Brine Waters & Oils
- Steam / Air / Gas Lines



DIMENSIONS

(All dimensions are in mm)

| MODEL | Size (MM) | L | H | Port | ØF |
|------------|-----------|-----|-------|-------|-----|
| PSDV - 40 | 40 | 42 | 57 | 38 | 82 |
| PSDV - 50 | 50 | 45 | 68.5 | 50.8 | 95 |
| PSDV - 65 | 65 | 48 | 74.5 | 60.6 | 108 |
| PSDV - 80 | 80 | 48 | 80 | 72 | 127 |
| PSDV - 100 | 100 | 54 | 96 | 100 | 159 |
| PSDV - 125 | 125 | 57 | 117 | 123 | 186 |
| PSDV - 150 | 150 | 57 | 132 | 143 | 217 |
| PSDV - 200 | 200 | 64 | 157 | 192 | 270 |
| PSDV - 250 | 250 | 71 | 187 | 239 | 322 |
| PSDV - 300 | 300 | 81 | 218 | 290 | 382 |
| PSDV - 350 | 350 | 92 | 242 | 335 | 436 |
| PSDV - 400 | 400 | 102 | 270.5 | 387.5 | 495 |
| PSDV - 450 | 450 | 114 | 362 | 425 | 540 |
| PSDV - 500 | 500 | 127 | 400 | 475 | 595 |

ACCESSORIES

- On / Off Indicator
- Namur standard 5/2 & 3/2 way SOV in all standard coil voltage (Flame proof solenoid coil on request)
- Pneumatic & Electro Pneumatic valve positioner
- Declutchable manual over ride
- Limit switch for on / off indication at panel board
- FRL Set with pressure gauge
- Volume Booster
- Air Lock Valve
- Quick Exhaust Valve

PTL MODEL ELECTRIC ACTUATOR

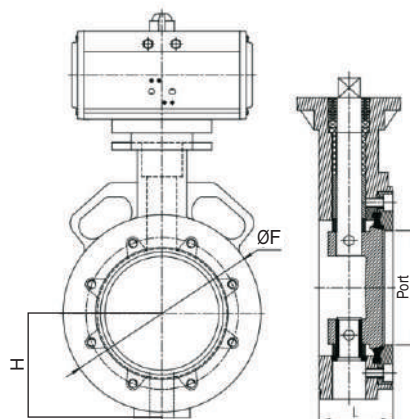
- Type : On / Off type
- Voltage : 24v, 36v, 110v, 220v, 380v, 415v
- Protection : IP 67
- L N Key type manual over ride.
- In Built Position monitor

Options available.

- Hand wheel type manual over ride
- Modulating type with LCD
- Intelligent control for remote/local operation
- Explosion Proof - OHQ series.

MATERIALS

| PART NAME | MATERIAL OPTION |
|------------------|---|
| Design | Double Offset Disc Design |
| Body | WCB / CF8 / CF8M |
| Disc | CF8 / |
| Replaceable Seat | PTFE / GFT / CFT |
| Retainer | M.S. / S.S. 304 / 316 |
| Shaft | S.S. 410 / S.S. 304 / 316 |
| Gland Packing | PTFE / GFT / CFT |
| Retainer Bolt | Stainless Steel |
| Disc Pin | S.S. 304 / 316 |
| Steam Plate | M.S. / S.S. 304 / 316 |
| Shaft Bush | M.S. / S.S. 304 / 316 |
| Bracket | S.S. |
| Plate Mounting | Namur Standard |
| Pressure Rating | ANSI 150 Class / ANSI 300 Class |
| End Connection | Wafer Sandwiched / Lug Type |
| Operating Temp. | -25°C to 240°C (Soft Seating) Above 240°C to 600°C On Reg. (Metal to Metal Seating) |



Pneumatic / Electric actuator operated Aluminum Butterfly Valve Pneu

TECHNICAL STANDARDS

Manufacturing Standard : API 609 Category A/BS 5155 / MSS SP - 67 / C - 504

Face to Face : Short wafer as per ISO 5752 Tab 5 API 609 Category A

Top Flange Drilling : ISO 5211 Part II

Inspection and Testing Standard : API 598 / BS 6755 / FCI 70-2

Flange standard conformity : ANSI 150, DIN PN6 / 16

KEY FEATURES

- On / Off indicator
- Namur standard 5/2 & 3/2 way SOV in all standard coil voltage (Flame proof solenoid coil on request)
- Pneumatic & Electro Pneumatic valve positioner.
- Declutchable manual over ride.
- Limit switch for on / off indication at panel board.
- FRL Set with pressure gauge.
- Volume Booster.
- Air Lock Valve.
- Quick Exhaust Valve.

PTL MODEL ELECTRIC ACTUATOR

- Type : On / Off type
- Voltage : 24v, 36v, 110v, 220v, 380v, 415v
- Protection : IP 67
- L N Key type manual over ride.
- In Built Position monitor

Options available.

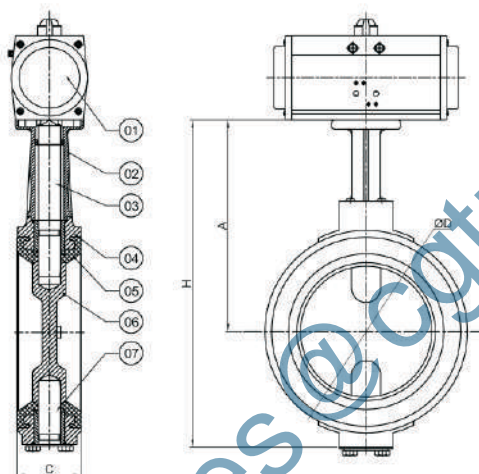
- Hand wheel type manual over ride
- Modulating type with LCD
- Intelligent control for remote/local operation
- Explosion Proof - OHQ series.

MATERIALS

| PART NAME | MATERIAL OPTION |
|---------------|----------------------------|
| Body | Aluminum Pressure Die Cast |
| Disc | CF8 (S.S. 304) |
| Stem | AISI 410 / AISI 304 |
| Shaft | AIS 410 / AISI 304 |
| Seat | EPDM |
| Valve Rating | PN 10 |
| Body Pressure | 225 PSIG |
| Seat Pressure | 165 PSIG |
| Temperature | 140°C |

KEY FEATURES

- Sleek size & space
- Reduced Torque
- Low Weight
- Easy to maintain
- Can be used for vast range of operation



DIMENSIONS (All dimensions are in mm)

| MODEL | Size | Port | H | C | ØF |
|-------------|------|------|-----|----|-----|
| PABFV - 40 | 40 | 40 | 60 | 33 | 78 |
| PABFV - 50 | 50 | 50 | 66 | 43 | 93 |
| PABFV - 65 | 65 | 65 | 74 | 46 | 118 |
| PABFV - 80 | 80 | 80 | 83 | 46 | 129 |
| PABFV - 100 | 100 | 100 | 94 | 52 | 149 |
| PABFV - 125 | 125 | 125 | 122 | 56 | 184 |
| PABFV - 150 | 150 | 150 | 135 | 56 | 214 |
| PABFV - 200 | 200 | 196 | 161 | 60 | 259 |

Pneumatic / Electrical actuator operated polypropylene Butterfly Valve



MATERIALS

| PART NAME | MATERIAL OPTION |
|----------------|--------------------|
| Body | Polypropylene |
| Disc | M.S. Powder Coated |
| Seating | Nitrile |
| Stem Pin | S.S. 410 |
| Mounting Pad | M.S. fabricated |
| Stem O Ring | Nitrile |
| Temperature | 20° C to 85° C |
| End Connection | Wafer type |
| Size | 40 mm to 300 mm |

Stainless Steel Butterfly Valves with Pneumatic Actuators :

Stainless steel butterfly valves are ideally suited for use with powder dispensing systems in the pharmaceutical, food and associated industries. The valve is designed for easy connection to a range of powder processing equipment.

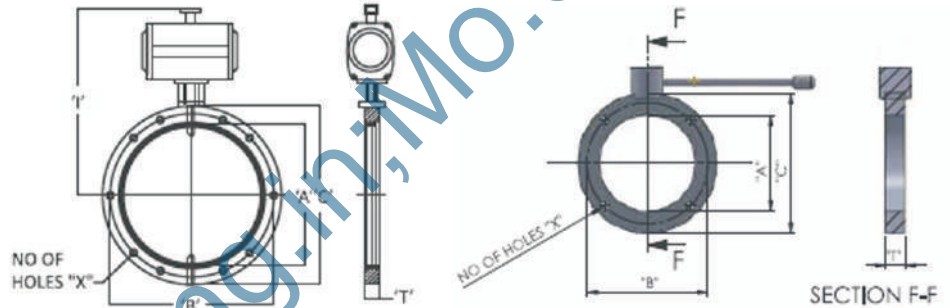
Features :

GMP compliant design Flexible interchangeable system is adaptable to multiple powder handling equipment 316L Stainless Steel contact parts provides Superior corrosion resistance. Reduces risk of contamination. Long service life.

Dimensions

| SIZE | ID "A" | PCD "B" | OD "C" | NO. OF HOLES "X" | HOLE DIA. | "T" THICKNESS | "H" Height |
|------|--------|---------|--------|------------------|-----------|---------------|------------|
| 1" | 25 | 65 | 85 | 4 | 6.35 | 25 | |
| 1.5" | 38 | 74 | 95 | 4 | 6.35 | 25 | |
| 2" | 50 | 97 | 118 | 4 | 7.9 | 26 | |
| 2.5" | 63 | 105 | 127 | 4 | 7.9 | 26 | |
| 3" | 76 | 128 | 144 | 4 | 7.9 | 26 | |
| 4" | 100 | 142 | 160 | 4 | 7.9 | 25 | |
| 5" | 127 | 175 | 200 | 6 | 9.5 | 25 | |
| 6" | 150 | 203 | 225 | 6 | 9.5 | 25 | |
| 8" | 200 | 264 | 285 | 6 | 9.5 | 28 | |
| 10" | 250 | 298 | 335 | 6 | 11 | 28 | |
| 12" | 300 | 360 | 385 | 8 | 14.5 | 30 | |
| 13" | 330 | 385 | 420 | 8 | 14.5 | 32 | |
| 14" | 350 | 415 | 440 | 8 | 14.5 | 35 | |
| 16" | 400 | 460 | 490 | 10 | 17.5 | 35 | |
| 18" | 457 | 508 | 540 | 10 | 17.5 | 35 | |
| 20" | 508 | 565 | 600 | 12 | 17.5 | 35 | |
| 22" | 558 | 625 | 675 | 12 | 17.5 | 40 | |

Depends on Actuator brand



TC END BUTTERFLY VALVE

TC End Butterfly Valves :

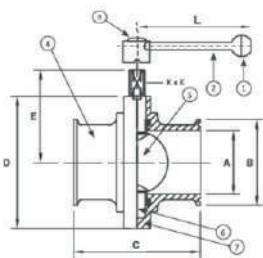
Sanitary Butterfly Valves are designed and manufactured to perform reliably in the most hostile production environments. Each valve is meticulously constructed using the finest materials. Valves come standard with a 4 position handle design for multiple flow option and feature specially designe integrated actuator mounting holes to precision align optional actuators. Valves are precisely CNC machined from 304/316 stainless steel and feature and I.D. finish of less than 0.6mm R.A. Body bolts are crossthreaded to help ensure a tight seal.

Features :

- Material and Gasket: 304/316 stainless steel, silicon seats (others available)
- Available Sizes: 0.50", 0.75", 1.0", 1.5", 2.0", 2.5", 3.0", 4.0", 6.0" and 8"
- Surface Finish: Less than 0.6mm (RA) mechanical sanitary polish
- Connections: Sanitary clamp, buttweld and SMS
- Actuation: Integrated mounting slots accept a variety of actuators
- Maximum Pressure: 1.0" -4.0" to 5 bar at 68F (20C)
- Temperature / Vacuum: Vacuum to 1 bar at 68 F (20C) temperature rating : 15F to 200F (10C to 95 C)

Dimensions

| Size | A | B | C | D | E | L | Torque (Kg-M) |
|---------|-------|-------|------|-------|-------|-----|---------------|
| 1" | 22.1 | 50.5 | 60.0 | 75.0 | 60.0 | 110 | 1 |
| 1 1/2" | 34.8 | 50.5 | 60.0 | 77.0 | 60.0 | 110 | 1 |
| 2" | 47.5 | 64.0 | 60.0 | 90.0 | 60.0 | 110 | 1.3 |
| 2 1/2 " | 60.2 | 77.5 | 60.0 | 110.0 | 60.0 | 110 | 1.5 |
| 3" | 72.2 | 91.0 | 74.0 | 128.0 | 60.0 | 110 | 2.0 |
| 4" | 97.6 | 119.0 | 90.0 | 154.0 | 60.0 | 110 | 3.1 |
| 6" | 148.4 | 167.0 | 85.0 | 200.0 | 60.0 | 185 | 5.5 |
| 8" | 199.2 | 217.0 | 88.0 | 250.0 | 60.0 | 250 | 6.1 |
| 10" | 250 | 268 | 90.0 | 300.0 | 204.0 | 250 | 8.5 |
| 12" | 300 | 319 | 90.0 | 350.0 | 229.0 | 250 | 10.6 |



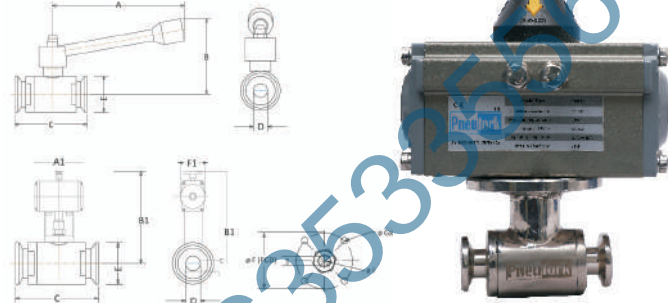
| No. | Description | Qty. | Material |
|-----|--------------|------|----------------------|
| 1 | Upper Handle | 1 | Reinforced Nylon |
| 2 | Lower Handle | 1 | Stainless Steel |
| 3 | Notchplate | 1 | Stainless Steel |
| 4 | Body | 1 | 316L Stainless Steel |
| 5 | Disk | 1 | 316L Stainless Steel |
| 6 | Silicon Seat | 1 | Silicon |
| 7 | Screw Bolt | 1 | Stainless Steel |

TC End Ball Valves (Bar Stroke) :

The TC End ball valve consists of a stainless steel body that houses a rotating ball. The rotating ball is sealed in the body with a PTFE Seat that either partially or fully encapsulates the ball. The valve is activated by a stainless steel handle that opens and closes the valve through a quarter turn. The valve can also be operated by an optional 1/4 turn pneumatic actuator. maintain constant pressure on the stem packing. The stem and packing design eliminate the possibility of the stem becoming dislodged or blown out.

Features :

- Material and Gasket 304/316 stainless steel, PTFE seats (others available)
- Available Sizes 0.50", 0.75", 1.0", 1.5", 2.0", 2.5", 3.0" and 4.0"
- Surface Finish mechanical sanitary polish
- Connections Sanitary clamp, butt weld
- Pressure 25 bar pressure
- Temperature / Vacuum Vacuum to 25 bar at 68° F (20° C), temperature rating : 15°F to 200 F (10° C to 95° C)
- Application Water, Steam, Oil, Chemicals



Dimensions

| SIZE | A | B | C | D ϕ | E ϕ | ϕ F PCD | GX4 | ϕ 1 | S | A1 | B1 | F1 |
|--------|-----|------|-----|----------|----------|--------------|-----|----------|----|-----|-----|-----|
| 1/2" | 110 | 71.5 | 70 | 9.5 | 25 | 36 | M6 | 8 | 5 | 141 | 145 | 65 |
| 3/4" | 110 | 72.5 | 80 | 15.9 | 35 | 36 | M6 | 10 | 7 | 141 | 150 | 65 |
| 1" | 110 | 76.5 | 78 | 24 | 50.5 | 36 | M6 | 10 | 7 | 169 | 155 | 65 |
| 1 1/2" | 125 | 88 | 105 | 34.5 | 50.5 | 50 | M6 | 12 | 9 | 169 | 175 | 65 |
| 2" | 185 | 95 | 114 | 47.2 | 64 | 50 | M6 | 12 | 9 | 197 | 205 | 80 |
| 2 1/2" | 200 | 125 | 144 | 63 | 77.5 | 70 | M8 | 20 | 12 | 197 | 250 | 80 |
| 3" | 215 | 150 | 157 | 71 | 91 | 70 | M8 | 24 | 16 | 233 | 350 | 122 |
| 4" | 215 | 155 | 180 | 100 | 119 | 70 | M8 | 28 | 20 | 272 | 375 | 122 |

Ball Valve / Flush Bottom Valve (Bar Stroke) :

The Sanitary ball valve with Screwed end to minimize pockets where media can collect. The inner diameters and end connection are exactly the same size as the ID of the ball/seat ensuring no obstruction of flow from tubing through the valve

Features :

- In sizes from 1/2" through 4" with tube ID design to provide unobstructed flow and better drainage. Pressure ratings up to 900 psi Virgin Teflon cavity filler ISO 5211 actuator mounting flange (optional) Designed for simple maintenance with in-line repairable feature Screwed end or tube weld ends Available as manual or actuated (pneumatic) valve Stainless Steel Materials - Types 304, 316, and "L Grades".

Flush Bottom Valve :

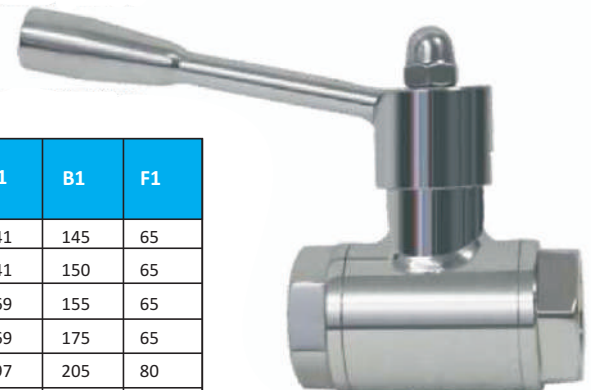
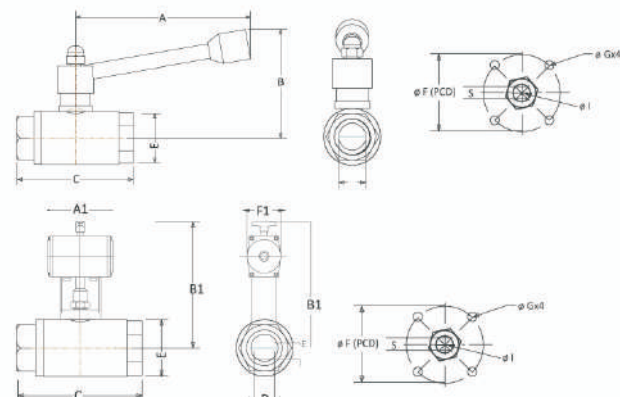
Description will be provided as per client request

Application in the following industries :

- Pharmaceutical • Biotech • Healthcare/Cosmetics • Food & Beverage
- Specialty Chemical

Dimensions

| SIZE | A | B | C | D ϕ (BSP) | ϕ F PCD | GX4 | ϕ 1 | S | A1 | B1 | F1 |
|--------|-----|------|-----|----------------|--------------|-----|----------|----|-----|-----|-----|
| 1/2" | 110 | 71.5 | 70 | 1/2" | 36 | M6 | 8 | 5 | 141 | 145 | 65 |
| 3/4" | 110 | 72.5 | 80 | 3/4" | 36 | M6 | 10 | 7 | 141 | 150 | 65 |
| 1" | 110 | 76.5 | 78 | 1" | 50 | M6 | 10 | 7 | 169 | 155 | 65 |
| 1 1/2" | 125 | 88 | 105 | 1 1/2" | 50 | M6 | 12 | 9 | 169 | 175 | 65 |
| 2" | 185 | 95 | 114 | 2" | 50 | M6 | 12 | 9 | 197 | 205 | 80 |
| 2 1/2" | 200 | 125 | 144 | 2 1/2" | 70 | M8 | 20 | 12 | 197 | 250 | 80 |
| 3" | 215 | 150 | 157 | 3" | 70 | M8 | 24 | 16 | 233 | 350 | 122 |
| 4" | 215 | 155 | 180 | 4" | 70 | M8 | 28 | 20 | 272 | 375 | 122 |

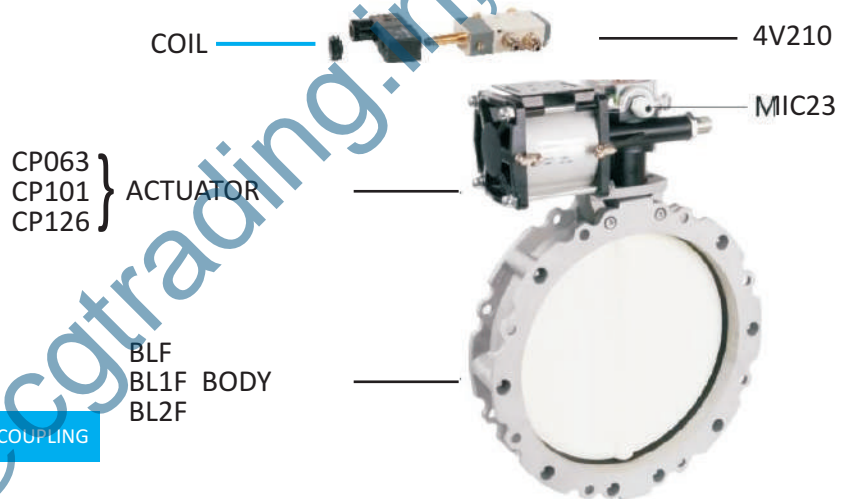


| BL2F | 300 | S | N | W | F | / | 220V |
|--------------------|------------|------------------------|-------------------|--------------------|------------------------|------------------|-------------|
| Connection | -DN | Discs | Sealing ring | -Driver | Control valve | -Control voltage | |
| BLF SINGLE FLANGE | 100 | S Pu disk | N NBR | W MIC23 Switch box | F 4V210 Solenoid valve | 220VAC | |
| BL1F SINGLE FLANGE | 150 | GB Cast iron disk | E EPDM | | | 110VAC | |
| BL2F DOUBLE FLANGE | 200 | L Aluminium disc | S SILICA GEL | | | 24VDC | |
| | 250 | A Stainless steel disc | I FOOD GRADE EPDM | | | | |
| | 300 | | | | | | |
| | 350 | | | | | | |
| | 400 | | | | | | |

BLF Butterfly Valves are mainly used silo switch bins, hoppers and equipped with powdered or granular materials. Can be applied to deal with all powdery and granular materials, the use of the material itself gravity valve closure and pneumatic conveying of dry materials.

BL2F300SN-WF/24VDC

Is : Double flange connection butterfly valve, diameter 300mm, wear dust-proof valve plate, NBR seal, with solenoid valve coil voltage of 24 VDC, with MIC23 single feedback.



PNEUMATIC ACTUATOR COUPLING

| | | | | | | | |
|----------------------|---------|---------|---------|---------|---------|---------|---------|
| Butterfly-valve size | BL*F100 | BL*F150 | BL*F200 | BL*F250 | BL*F300 | BL*F350 | BL*F400 |
| Under light load | CP 063 | CP 063 | CP 101 | CP 101 | CP 101 | CP 126 | CP 126 |
| Under heavy load | CP 101 | CP 101 | CP 101 | CP 126 | CP 126 | CP 126T | CP 126T |

- *Installation Method :** 1 - Single flange butterfly valve for sleeve connection
 2 - Double flange butterfly valve
 NO- Detachable open type single flange (double flange with single flange)

COUPLING MANUAL LEVER

| | | | | | | | |
|----------------------|---------|---------|----------|---------|---------|---------|---------|
| Butterfly-valve size | BL*F100 | BL*F150 | BL*FS200 | BL*F250 | BL*F300 | BL*F350 | BL*F400 |
| Manual Lever | CM4 | CM4 | CM4 | CM4 | CM4 | CM3B | CM3B |

- *Installation Method :** 1 - Single flange butterfly valve for sleeve connection
 2 - Double flange butterfly valve
 NO- Detachable open type single flange (double flange with single flange)

NOTE : DISC CHOICE DEPENDS ON APPLICATION AND TYPE OF MATERIAL. WITH LUMPY, GRANULAR AND FIBROUS PRODUCTS, WE SUGGEST TO USE CAST IRON OR AISI 304 DISC.

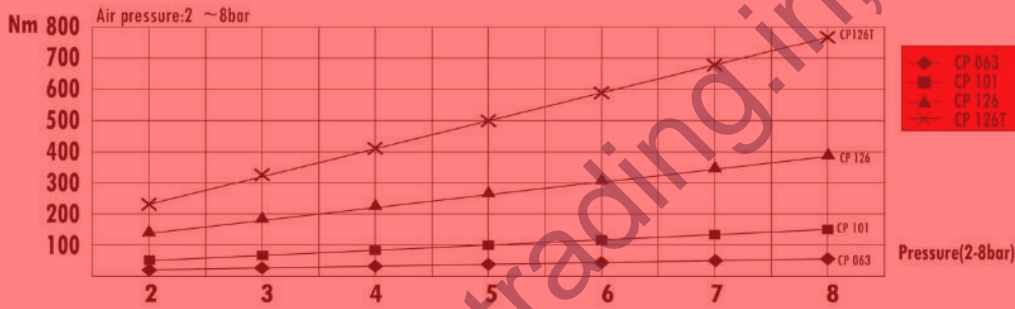
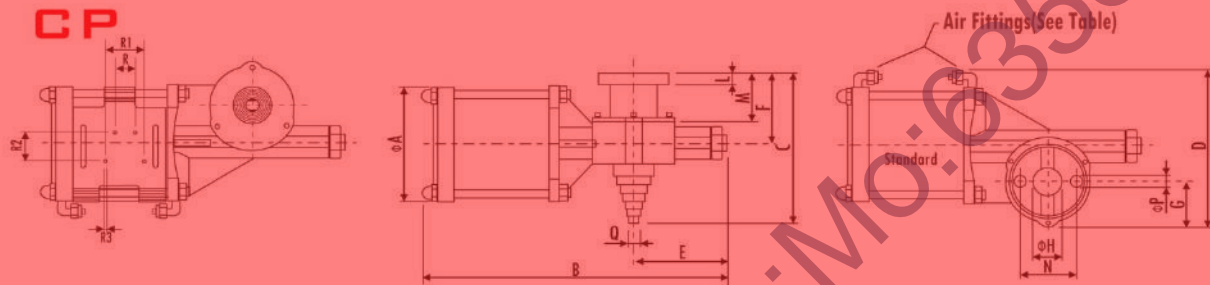
Electro pneumatic Actuator

How To Order

Performance & Technical Features - Benefits

- pressure:2-8 bar (29-116 PSI)
- The spline shaft and bushing connections on the CP drive comply with DIN 5482
- Switch box:MIC 23
- Solenoid valve:4V210&4V310
- Solenoid Coils: 24-48-110-220 V DC&50 Hz AC

| CP Type | 101 Path | A Connection Processes | W Switch box | F Solenoid valve | 24V/DC Voltage |
|---------------|-------------------|--|--------------|------------------|------------------------------------|
| CP : Actuator | 063 101 126 | A=Fig1 B=Fig2 (ISO5211) D=Opening angle adjustable T=Enhance TC=Three position | W=MIC23 | F=Solenoid Valve | 24VDC 24VAC 220VAC 110VAC |



| Type | øA | B | C | D | E | F | G | øH DIN 5482 | L | M | N | øP | Q | R | R1 | R2 | R3 | øThread | øHose | Air Consumption per Cycle at 6 bar(Nl) | Operation time in sec.at 6 bar | Kg. |
|-------|-----|-----|-----|-----|-----|-----|----|-------------------|----|----|----|----|----|----|----|----|----|---------|-------|--|--------------------------------|-----|
| CP063 | 70 | 265 | 130 | 140 | 85 | 60 | 33 | 22X19 | 10 | 47 | 50 | 11 | 12 | 18 | 36 | 26 | M4 | 1/8 | 8x6 | 2.0(x2) | 0.8 | 2.8 |
| CP101 | 106 | 260 | 130 | 150 | 85 | 60 | 33 | 22X19 | 10 | 47 | 50 | 11 | 12 | 18 | 36 | 26 | M4 | 1/8 | 8x6 | 4.4(x2) | 0.8 | 3.3 |
| CP126 | 125 | 450 | 180 | 215 | 170 | 100 | 65 | 28X25 | 16 | 52 | 80 | 13 | 12 | 22 | 60 | 40 | M4 | 1/4 | 8x6 | 6.3(x2) | 0.5 | 9.5 |

Mic Series Switch Box

MIC23 micro signal switch box suitable actuator in type CP

MIC 23

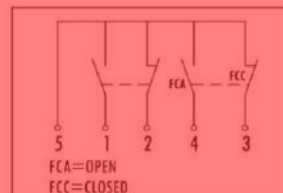
Performance & Technical Features - Benefits

- High strength of PC shell, switch position can be clearly identified
- Protection grade:IP67/NEMA4&4X (standard) Ip68 (option)
- Cam Device : Adjustable cam position
- Mechanical switch : 2SPDT
- Contact : 250VAC/16A 400 VAC/10A
- Single-wire interface : PG9
- Terminal : 5points (0.08-2.5mm2)



Micro-Switch Box

IP67
0-10A 400V
0-16A 250V
For CP



320g